

**IMPORTANT**  
 These Shop Drawings are our interpretation of the contract documents. It shall be the responsibility of the General Contractor (or Construction Manager) to review these drawings for compliance with the design intent and Contract Documents. When these drawings are returned with "Approved," "Approved as Noted" or "Reviewed" stamped on them, it shall constitute the General Contractors (or Construction Managers) and Architects agreement that the Shop Drawings do comply with the design intent and the Contract Documents.

**DO NOT SCALE PLANS**  
 Copying, Printing, Software and other processes required to produce these prints can stretch or shrink the actual paper or layout. Therefore, scaling of this drawing may be inaccurate. Contact the Glazing Contractor for any additional dimensions or clarifications.

Shop Drawings Prepared By



Charrette Studios Inc.  
 23581 Donaldson Street  
 Clinton Township, Michigan 48035  
 P: 586-790-4329 | F: 586-790-4346

CSI Project Information

Drawn By: Erica Domurat  
 CSI Project No: 05092199

Architect

OPK Design  
 450 South Salina Street, Suite 500  
 Syracuse, NY 13201-0029

General Cntr. or Constuction Mgr.  
 Granger Construction Company  
 6701 Manlius Center Road  
 East Syracuse, NY 13057

Issue & Revision Dates

No.	Date	Subject
1	06-22-18	First Submittal

Project Name & Location

Dig Safely NY  
 6706 Collamer Road  
 East Syracuse, NY 13057  
 Curtain Wall, Storefront & Glass Wall  
 Shop Drawings

Project Information

Project Manager: Paul Kelsch

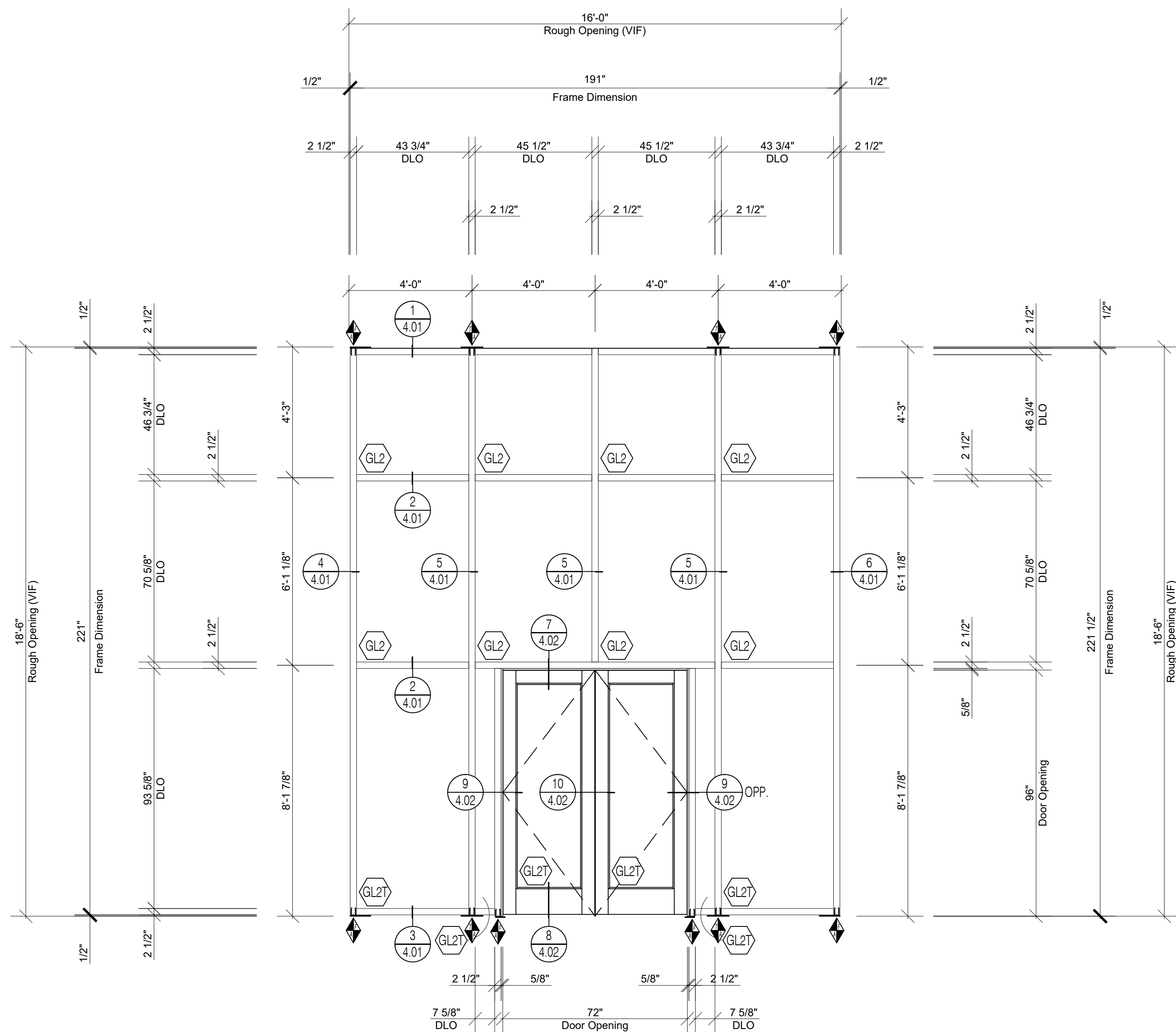
Drawing Title

Elevations

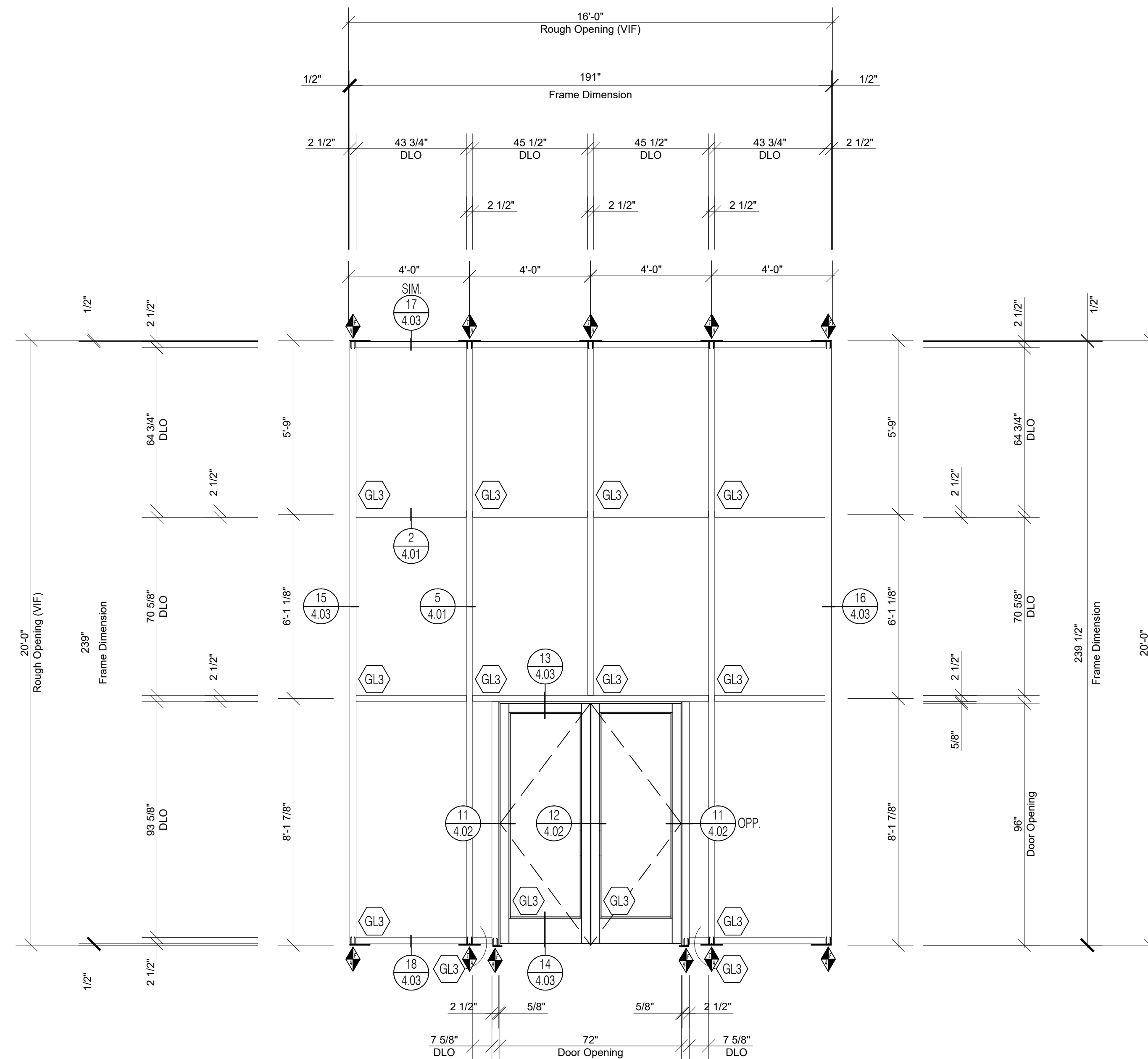
Scale: As Noted

Sheet Number

3.01



**CW1**  
 Curtain Wall Elevation  
 EFCO 5600 Series  
 2 1/2" x 10 1/4" Curtain Wall System  
 EFCO D502 Series Wide Stile Thermal Doors  
 Arch Ref: W01 / A-605  
 Door 100A  
 Scale: 3/8" = 1' - 0"  
 Total: 1 Thus



**CW2**  
 Curtain Wall Elevation  
 EFCO 5600 Series  
 2 1/2" x 10 1/4" Curtain Wall System  
 EFCO D300 Series Medium Stile Doors  
 Arch Ref: W21 / A-606  
 Door 100B  
 Scale: 3/8" = 1' - 0"  
 Total: 1 Thus



**IMPORTANT**  
 These Shop Drawings are our interpretation of the contract documents. It shall be the responsibility of the General Contractor (or Construction Manager) to review these drawings for compliance with the design intent and Contract Documents. When these drawings are returned with "Approved", "Approved as Noted" or "Reviewed" stamped on them, it shall constitute the General Contractors (or Construction Managers) and Architects agreement that the Shop Drawings do comply with the design intent and the Contract Documents.

**DO NOT SCALE PLANS**  
 Copying, Printing, Software and other processes required to produce these prints can stretch or shrink the actual paper or layout. Therefore, scaling of this drawing may be inaccurate. Contact the Glazing Contractor for any additional dimensions or clarifications.

Shop Drawings Prepared By



Charrette Studios Inc.  
 23581 Donaldson Street  
 Clinton Township, Michigan 48035  
 P: 586-790-4329 | F: 586-790-4346

CSI Project Information

Drawn By: Erica Domurat  
 CSI Project No: 05092199

Architect

OPK Design  
 450 South Salina Street, Suite 500  
 Syracuse, NY 13201-0029

General Cntr. or Constuction Mgr.  
 Granger Construction Company  
 6701 Manlius Center Road  
 East Syracuse, NY 13057

Issue & Revision Dates

No.	Date	Subject
1	06-22-18	First Submittal

Project Name & Location

Dig Safely NY  
 6706 Collamer Road  
 East Syracuse, NY 13057  
 Curtain Wall, Storefront & Glass Wall  
 Shop Drawings

Project Information

Project Manager: Paul Kelsch

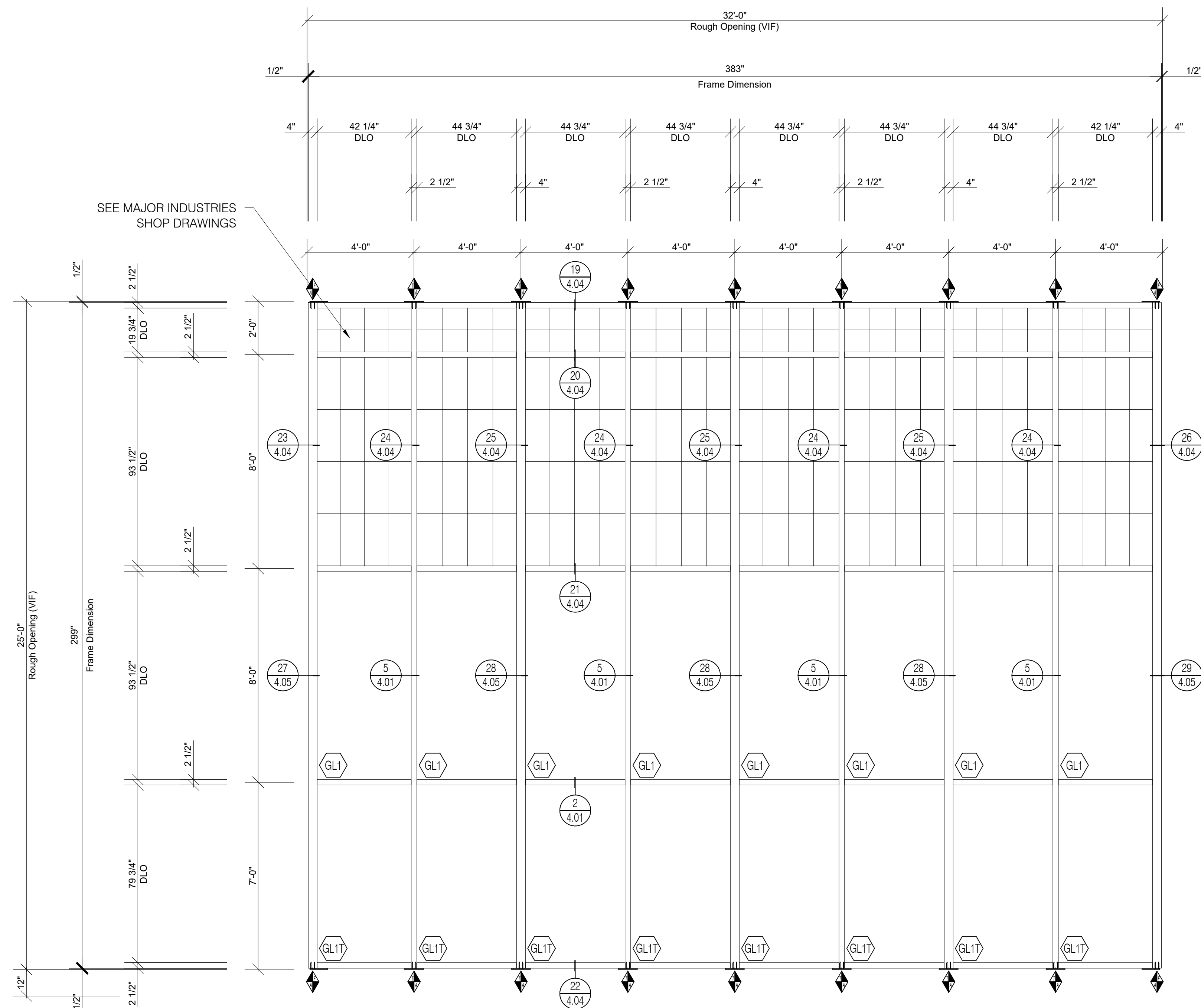
Drawing Title

Elevations

Scale: As Noted

Sheet Number

3.03



SEE MAJOR INDUSTRIES SHOP DRAWINGS

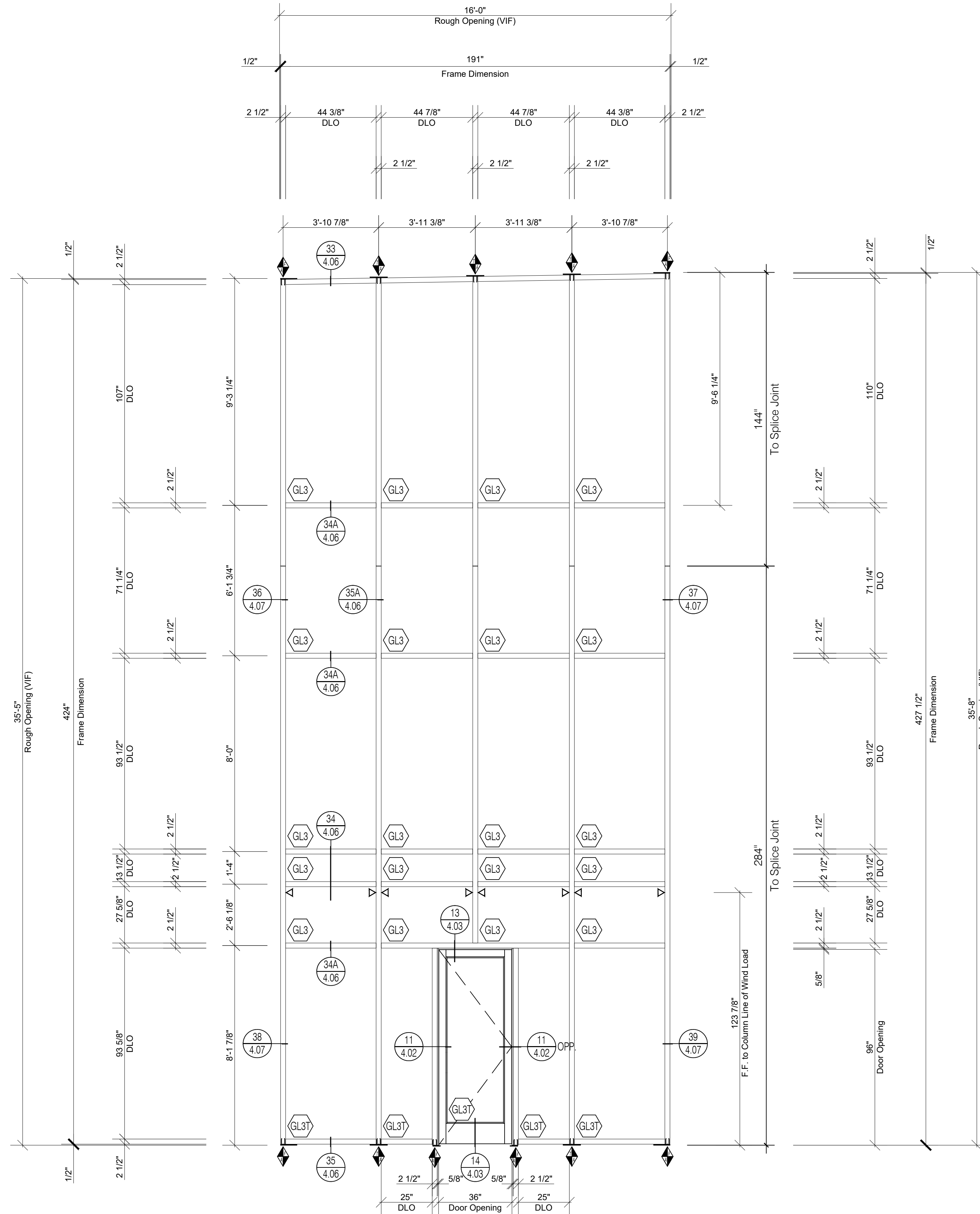
**CW5**

EFCO 5600 Series  
 2 1/2" x 10 1/4" Curtain Wall System

Total: 1 Thus

Curtain Wall  
 Elevation

Scale: 3/8" = 1' - 0"  
 Arch Ref:  
 W07B / A-605



**CW6**

**Curtain Wall Elevation**

EFCO 5600 Series  
2 1/2" x 8" Curtain Wall System  
EFCO D300 Series Medium Stile Door

Scale: 3/8" = 1' - 0"  
Arch Ref:  
W27 / A-606  
Door 005A

Total: 1 Thus

**FRONTIER GLASS Inc.**  
Your Source For Superior Glass Products And Services!  
(585) 235-0180 Fax (585) 235-0207  
• 175 Colvin St • Rochester • NY • 14611 •

**IMPORTANT**  
These Shop Drawings are our interpretation of the contract documents. It shall be the responsibility of the General Contractor (or Construction Manager) to review these drawings for compliance with the design intent and Contract Documents. When these drawings are returned with "Approved," "Approved as Noted" or "Reviewed" stamped on them, it shall constitute the General Contractors (or Construction Managers) and Architects agreement that the Shop Drawings do comply with the design intent and the Contract Documents.

**DO NOT SCALE PLANS**  
Copying, Printing, Software and other processes required to produce these prints can stretch or shrink the actual paper or layout. Therefore, scaling of this drawing may be inaccurate. Contact the Glazing Contractor for any additional dimensions or clarifications.

Shop Drawings Prepared By



Charrette Studios Inc.  
23581 Donaldson Street  
Clinton Township, Michigan 48035  
P: 586-790-4329 | F: 586-790-4346

**CSI Project Information**  
Drawn By: Erica Domurat  
CSI Project No: 05092199

**Architect**  
OPK Design  
450 South Salina Street, Suite 500  
Syracuse, NY 13201-0029

**General Cntr. or Constuction Mgr.**  
Granger Construction Company  
6701 Manlius Center Road  
East Syracuse, NY 13057

Issue & Revision Dates		
No.	Date	Subject
1	06-22-18	First Submittal

**Project Name & Location**  
  
Dig Safely NY  
  
6706 Collamer Road  
East Syracuse, NY 13057  
Curtain Wall, Storefront & Glass Wall  
Shop Drawings

**Project Information**  
Project Manager: Paul Kelsch

**Drawing Title**  
Elevations

Scale: As Noted

**Sheet Number**  
3.04

**IMPORTANT**  
 These Shop Drawings are our interpretation of the contract documents. It shall be the responsibility of the General Contractor (or Construction Manager) to review these drawings for compliance with the design intent and Contract Documents. When these drawings are returned with "Approved," "Approved as Noted" or "Reviewed" stamped on them, it shall constitute the General Contractors (or Construction Managers) and Architects agreement that the Shop Drawings do comply with the design intent and the Contract Documents.

**DO NOT SCALE PLANS**  
 Copying, Printing, Software and other processes required to produce these prints can stretch or shrink the actual paper or layout. Therefore, scaling of this drawing may be inaccurate. Contact the Glazing Contractor for any additional dimensions or clarifications.

Shop Drawings Prepared By



Charrette Studios Inc.  
 23581 Donaldson Street  
 Clinton Township, Michigan 48035  
 P: 586-790-4329 | F: 586-790-4346

**CSI Project Information**  
 Drawn By: Erica Domurat  
 CSI Project No: 05092199

**Architect**  
 OPK Design  
 450 South Salina Street, Suite 500  
 Syracuse, NY 13201-0029

**General Cntr. or Constuction Mgr.**  
 Granger Construction Company  
 6701 Manlius Center Road  
 East Syracuse, NY 13057

Issue & Revision Dates		
No.	Date	Subject
1	06-22-18	First Submittal

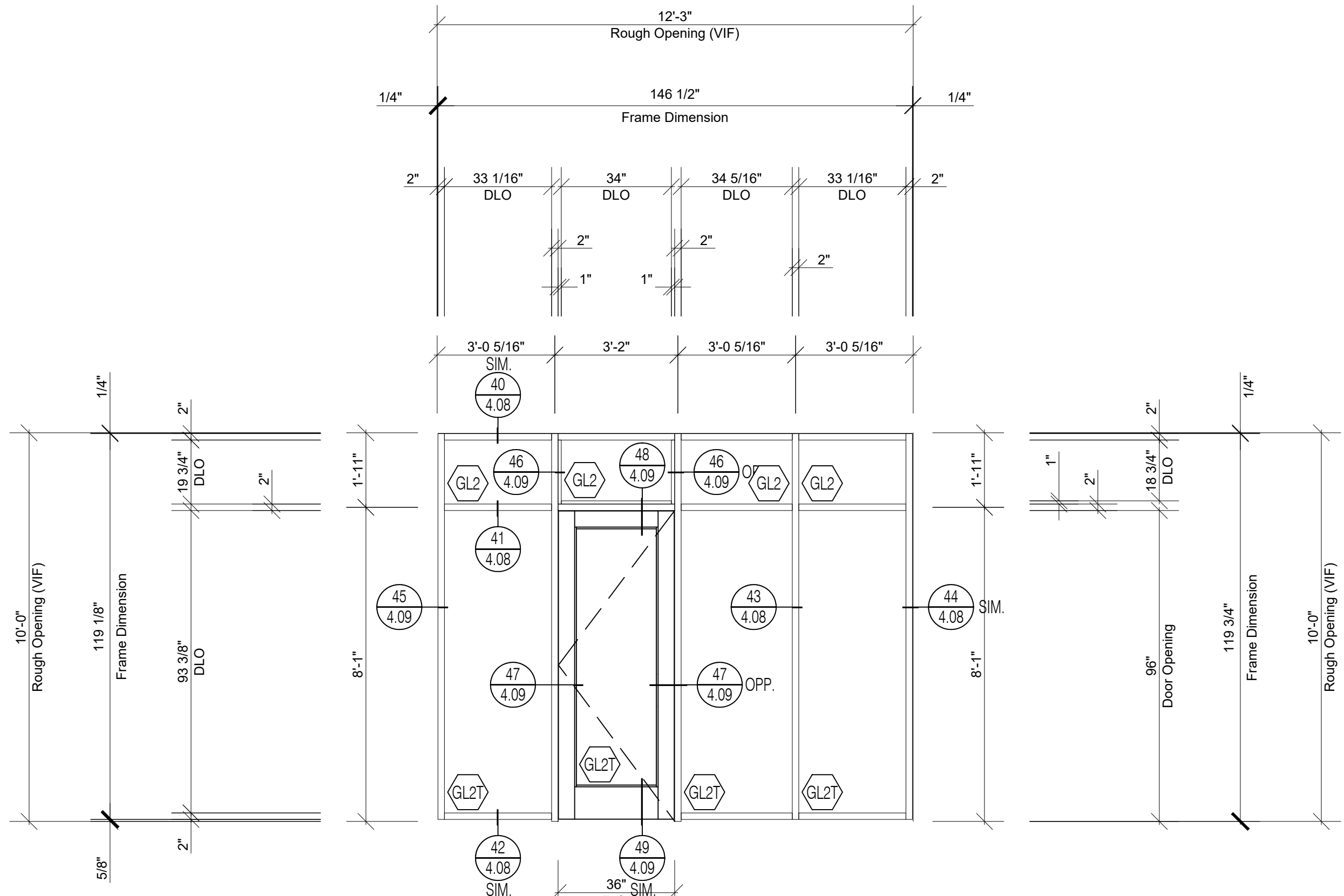
**Project Name & Location**  
 Dig Safely NY  
 6706 Collamer Road  
 East Syracuse, NY 13057  
 Curtain Wall, Storefront & Glass Wall Shop Drawings

**Project Information**  
 Project Manager: Paul Kelsch

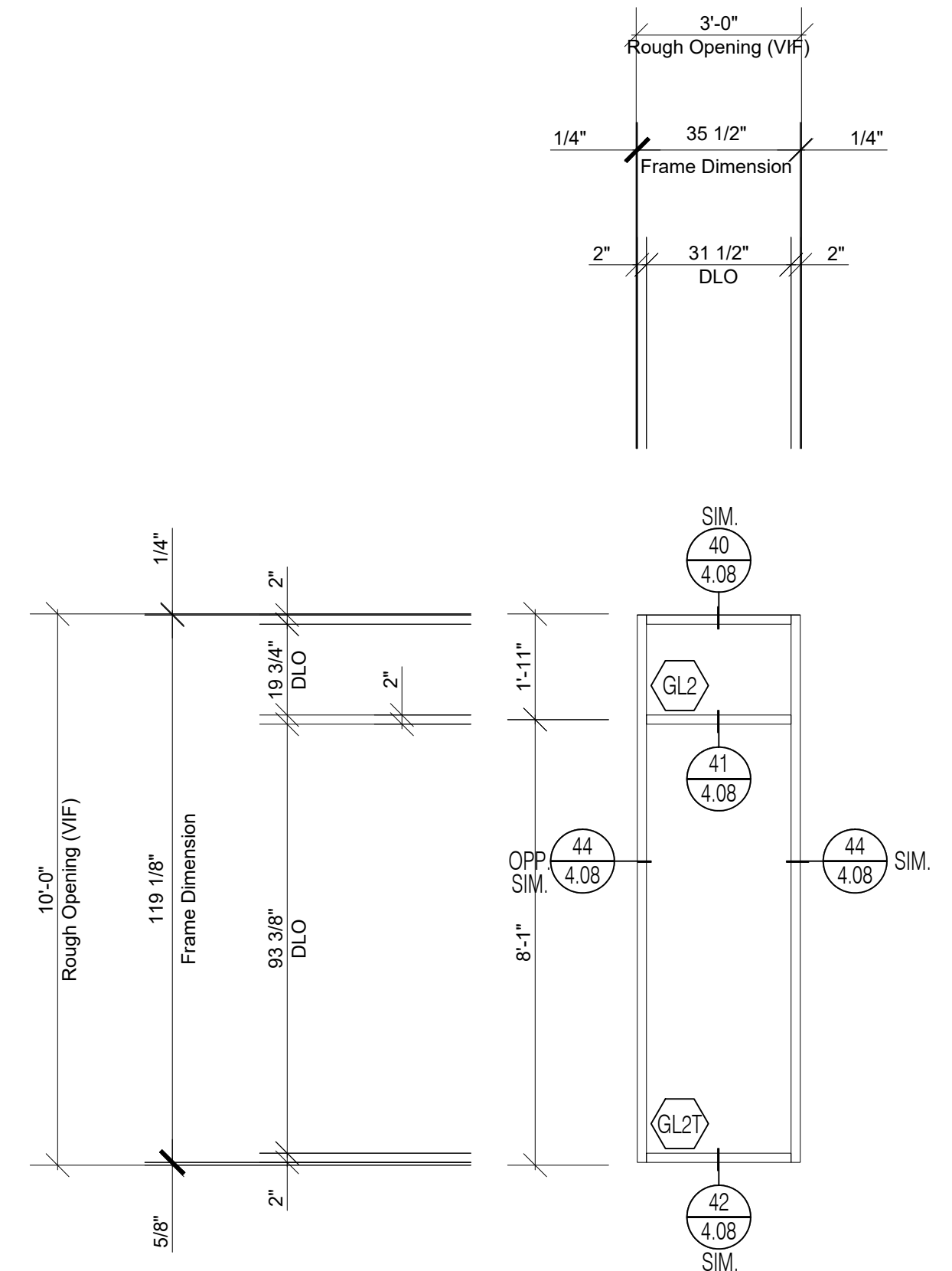
**Drawing Title**  
 Elevations

Scale: As Noted

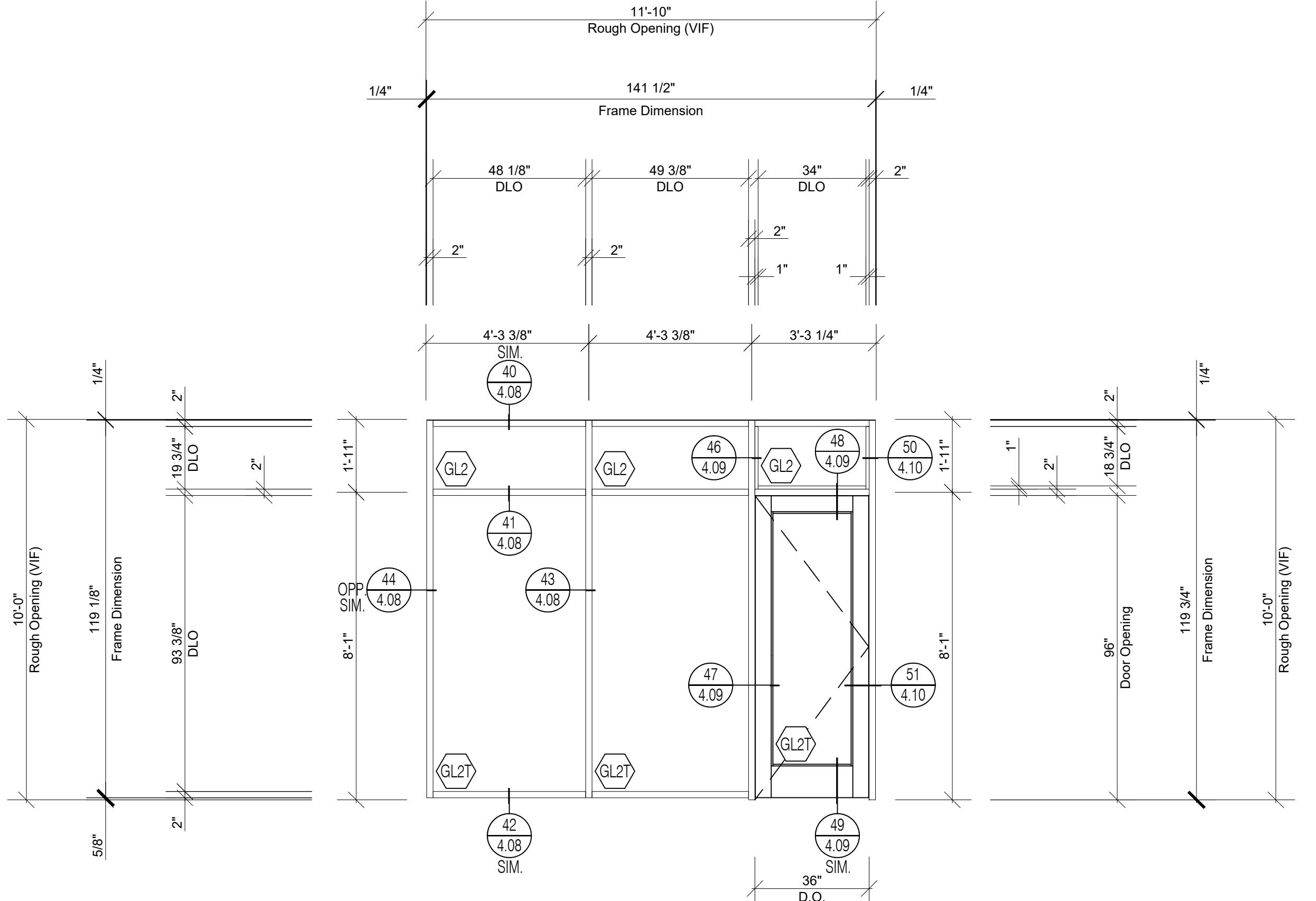
Sheet Number  
**3.05**



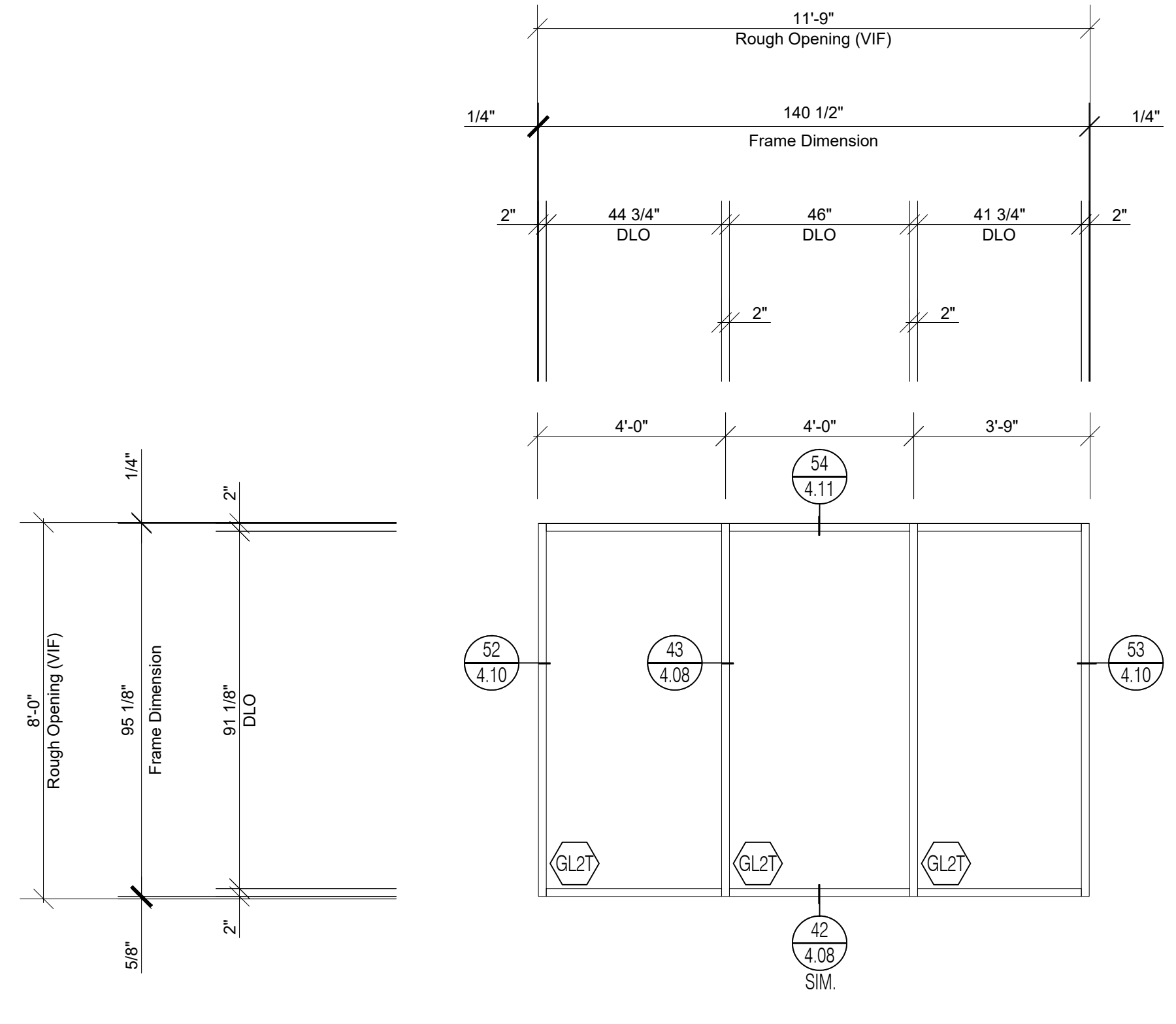
**SF1** Storefront Elevation  
 EFCO 433 Series  
 2" x 4 1/2" Front Set System  
 EFCO D502 Series Wide Stile Thermal Door  
 Scale: 3/8" = 1' - 0"  
 Arch Ref: W14 / A-605  
 Door 131B  
 Total: 1 Thus



**SF2** Storefront Elevation  
 EFCO 433 Series  
 2" x 4 1/2" Front Set System  
 Scale: 3/8" = 1' - 0"  
 Arch Ref: W15 / A-605  
 Total: 2 Thus



**SF3** Storefront Elevation  
 EFCO 433 Series  
 2" x 4 1/2" Front Set System  
 EFCO D502 Series Wide Stile Thermal Door  
 Scale: 3/8" = 1' - 0"  
 Arch Ref: W16 / A-605  
 Door 133B  
 Total: 1 Thus



**SF4** Storefront Elevation  
 EFCO 433 Series  
 2" x 4 1/2" Front Set System  
 Scale: 3/8" = 1' - 0"  
 Arch Ref: W17 / A-605  
 Total: 1 Thus

**IMPORTANT**  
 These Shop Drawings are our interpretation of the contract documents. It shall be the responsibility of the General Contractor (or Construction Manager) to review these drawings for compliance with the design intent and Contract Documents. When these drawings are returned with "Approved", "Approved as Noted" or "Reviewed" stamped on them, it shall constitute the General Contractors (or Construction Managers) and Architects agreement that the Shop Drawings do comply with the design intent and the Contract Documents.

**DO NOT SCALE PLANS**  
 Copying, Printing, Software and other processes required to produce these prints can stretch or shrink the actual paper or layout. Therefore, scaling of this drawing may be inaccurate. Contact the Glazing Contractor for any additional dimensions or clarifications.

Shop Drawings Prepared By



Charrette Studios Inc.  
 23581 Donaldson Street  
 Clinton Township, Michigan 48035  
 P: 586-790-4329 | F: 586-790-4346

**CSI Project Information**  
 Drawn By: Erica Domurat  
 CSI Project No: 05092199

**Architect**  
 OPK Design  
 450 South Salina Street, Suite 500  
 Syracuse, NY 13201-0029

**General Cntr. or Constuction Mgr.**  
 Granger Construction Company  
 6701 Manlius Center Road  
 East Syracuse, NY 13057

Issue & Revision Dates		
No.	Date	Subject
1	06-22-18	First Submittal

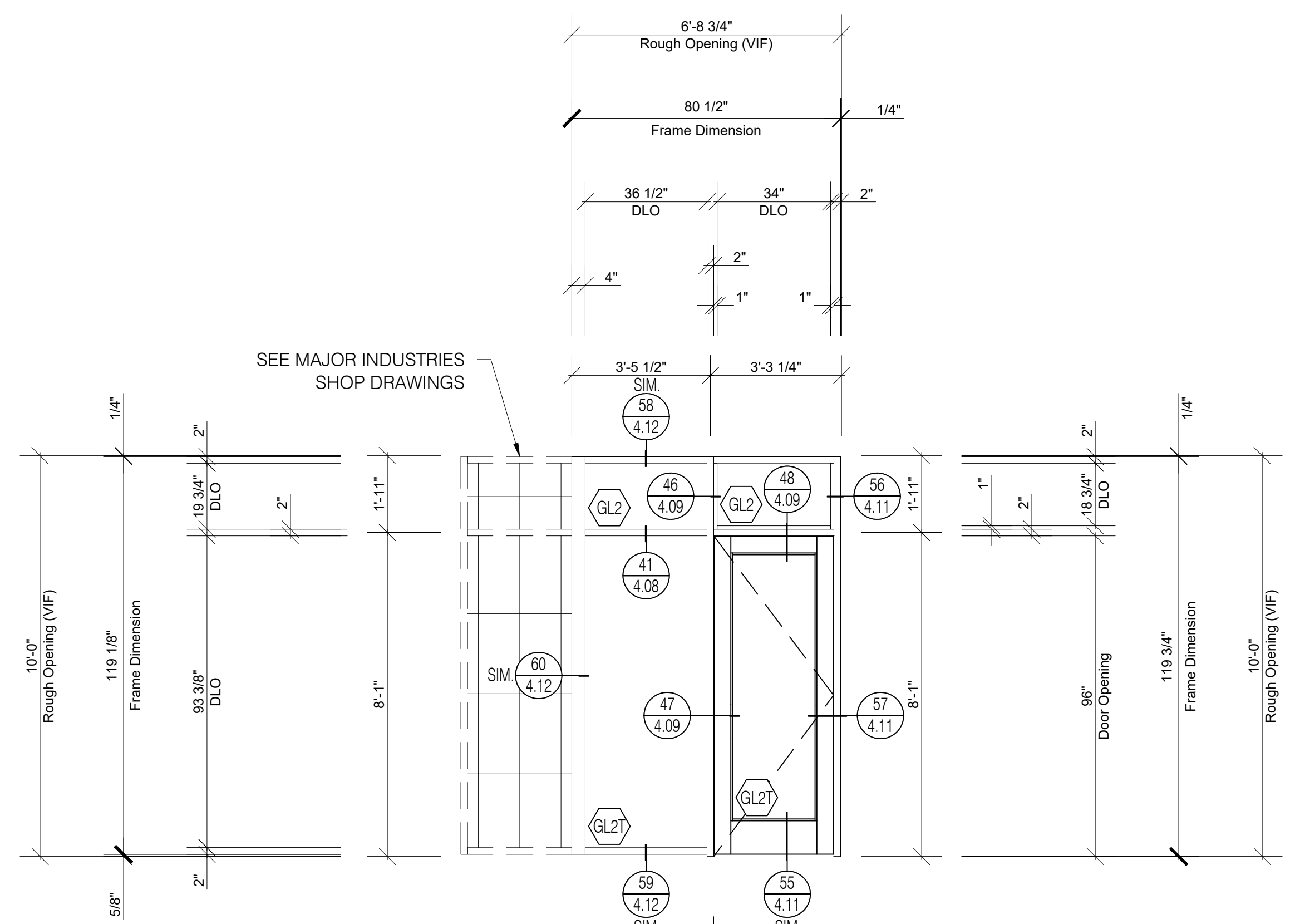
**Project Name & Location**  
 Dig Safely NY  
 6706 Collamer Road  
 East Syracuse, NY 13057  
 Curtain Wall, Storefront & Glass Wall Shop Drawings

**Project Information**  
 Project Manager: Paul Kelsch

**Drawing Title**  
 Elevations

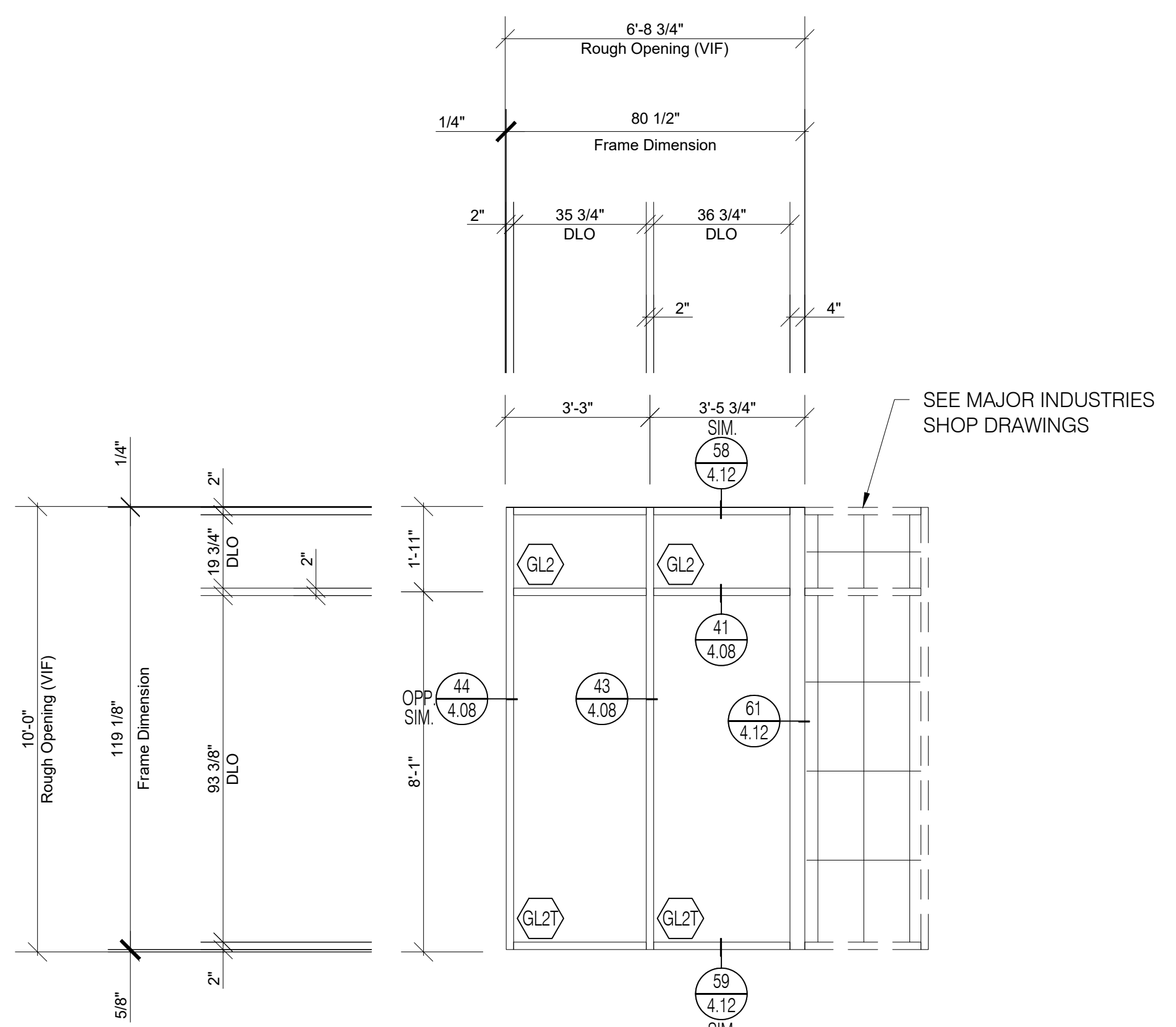
**Scale:** As Noted

**Sheet Number**  
 3.06



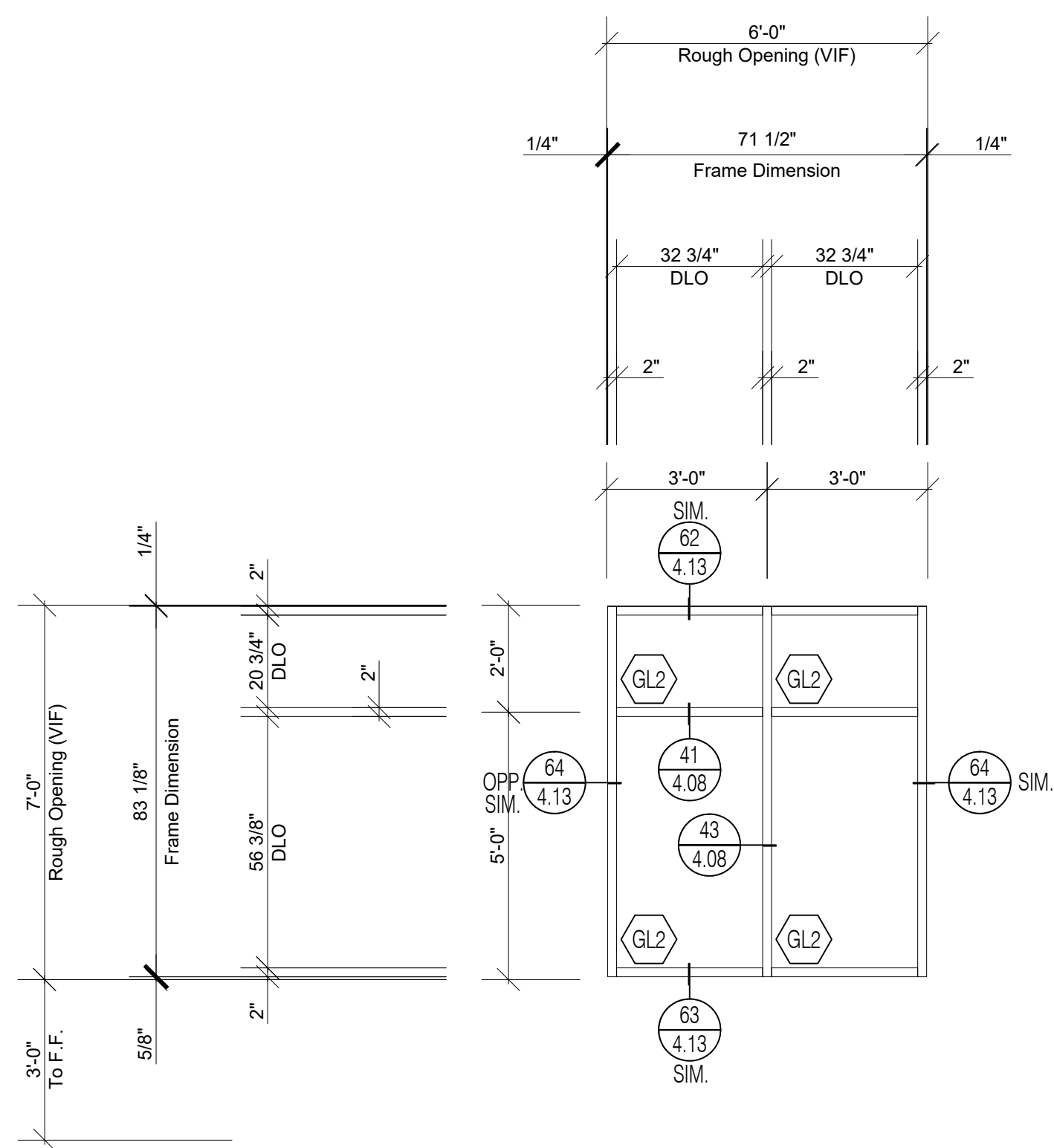
**SF5** Storefront Elevation

EFCO 433 Series  
 2' x 4 1/2" Front Set System  
 EFCO D502 Series Wide Stile Thermal Door  
 Arch Ref: W05 / A-605  
 Door 109C  
 Scale: 3/8" = 1' - 0"  
 Total: 1 Thus



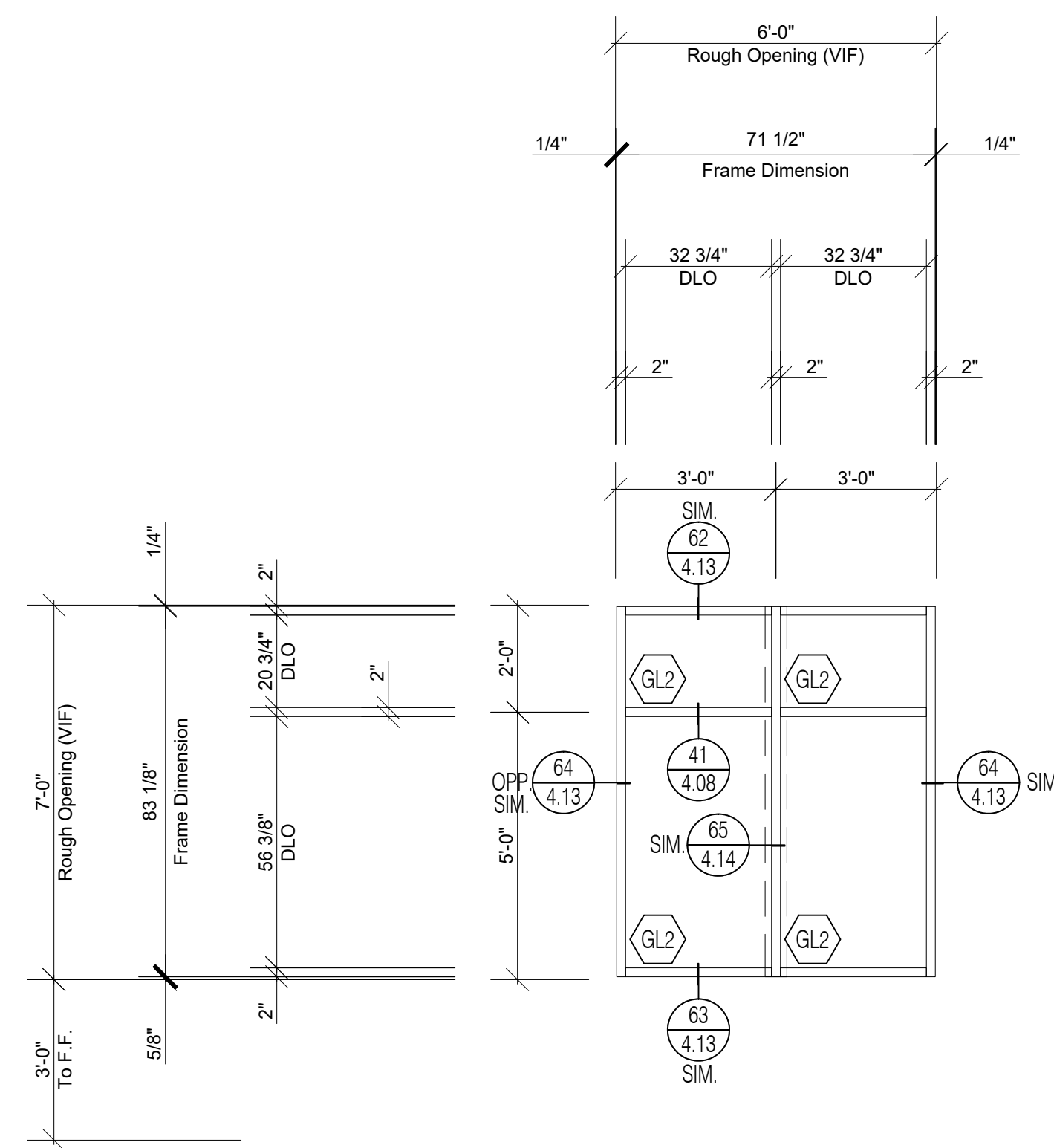
**SF6** Storefront Elevation

EFCO 433 Series  
 2' x 4 1/2" Front Set System  
 Arch Ref: W06 / A-605  
 Scale: 3/8" = 1' - 0"  
 Total: 1 Thus



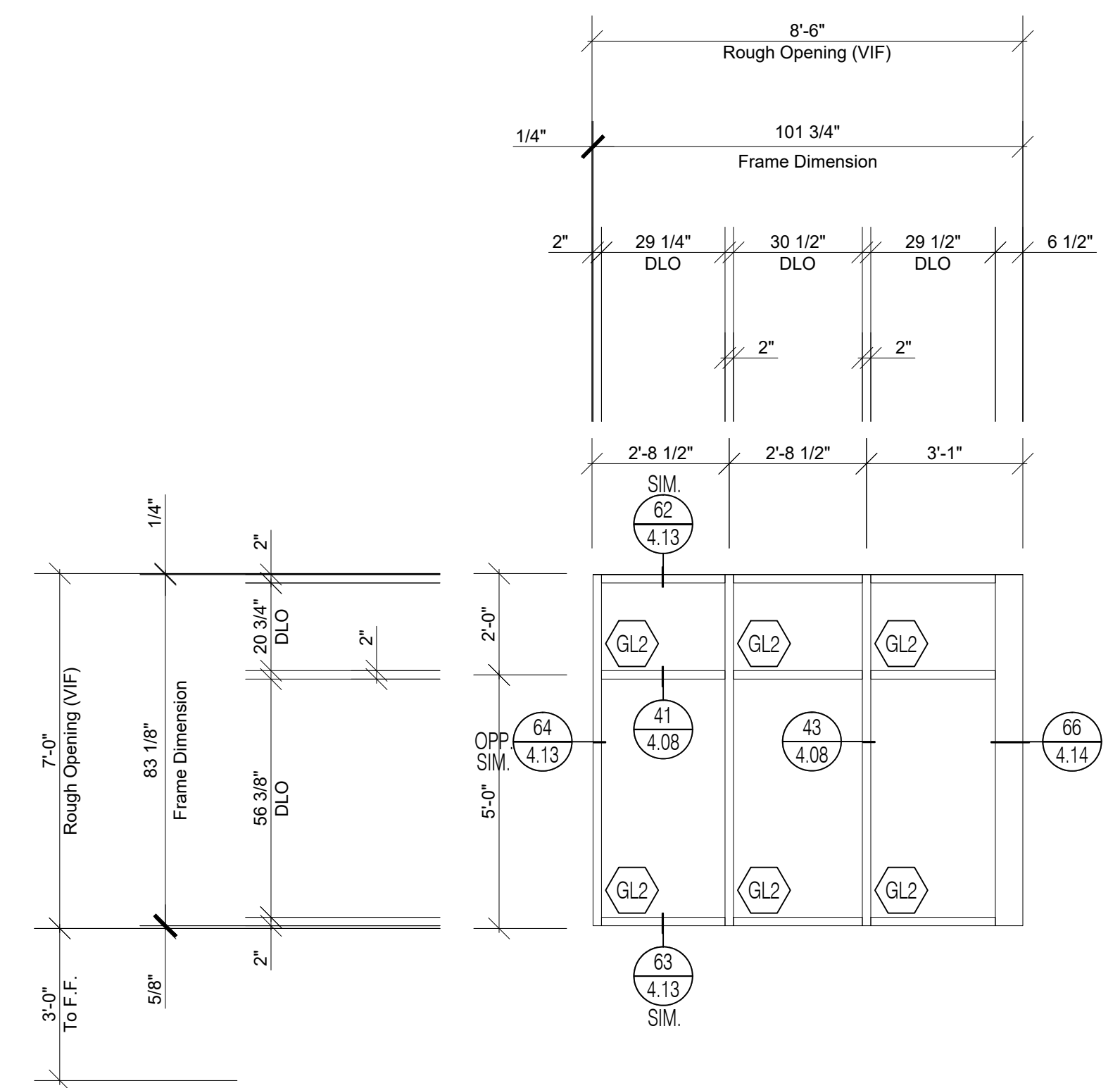
**SF7** Storefront Elevation

EFCO 433 Series  
 2' x 4 1/2" Front Set System  
 Arch Ref: W60 / A-605  
 Scale: 3/8" = 1' - 0"  
 Total: 8 Thus



**SF7A** Storefront Elevation

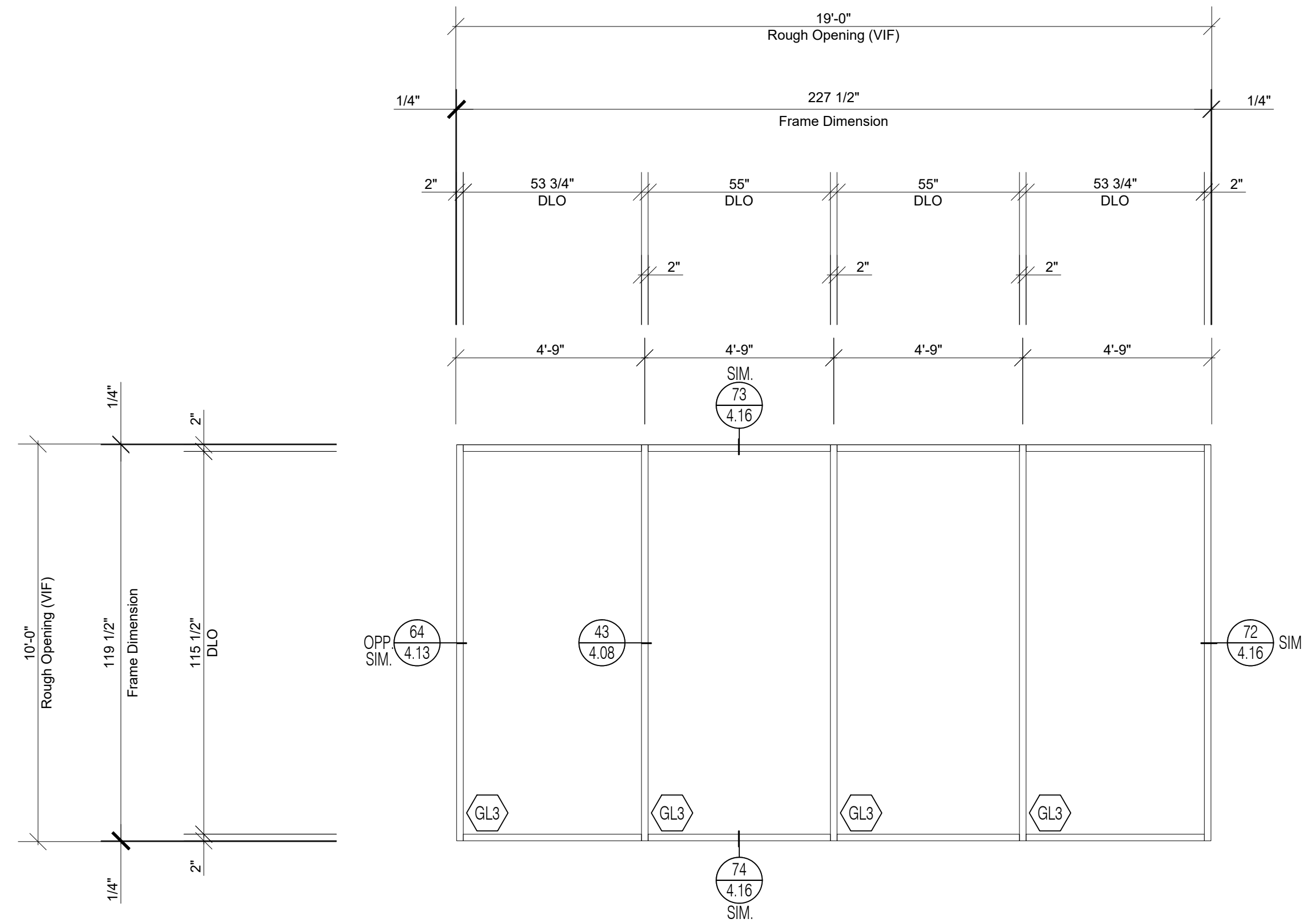
EFCO 433 Series  
 2' x 4 1/2" Front Set System  
 Arch Ref: W60 / A-605  
 Scale: 3/8" = 1' - 0"  
 Total: 1 Thus



**SF8** Storefront Elevation

EFCO 433 Series  
 2' x 4 1/2" Front Set System  
 Arch Ref: W61 / A-605  
 Scale: 3/8" = 1' - 0"  
 Total: 1 Thus

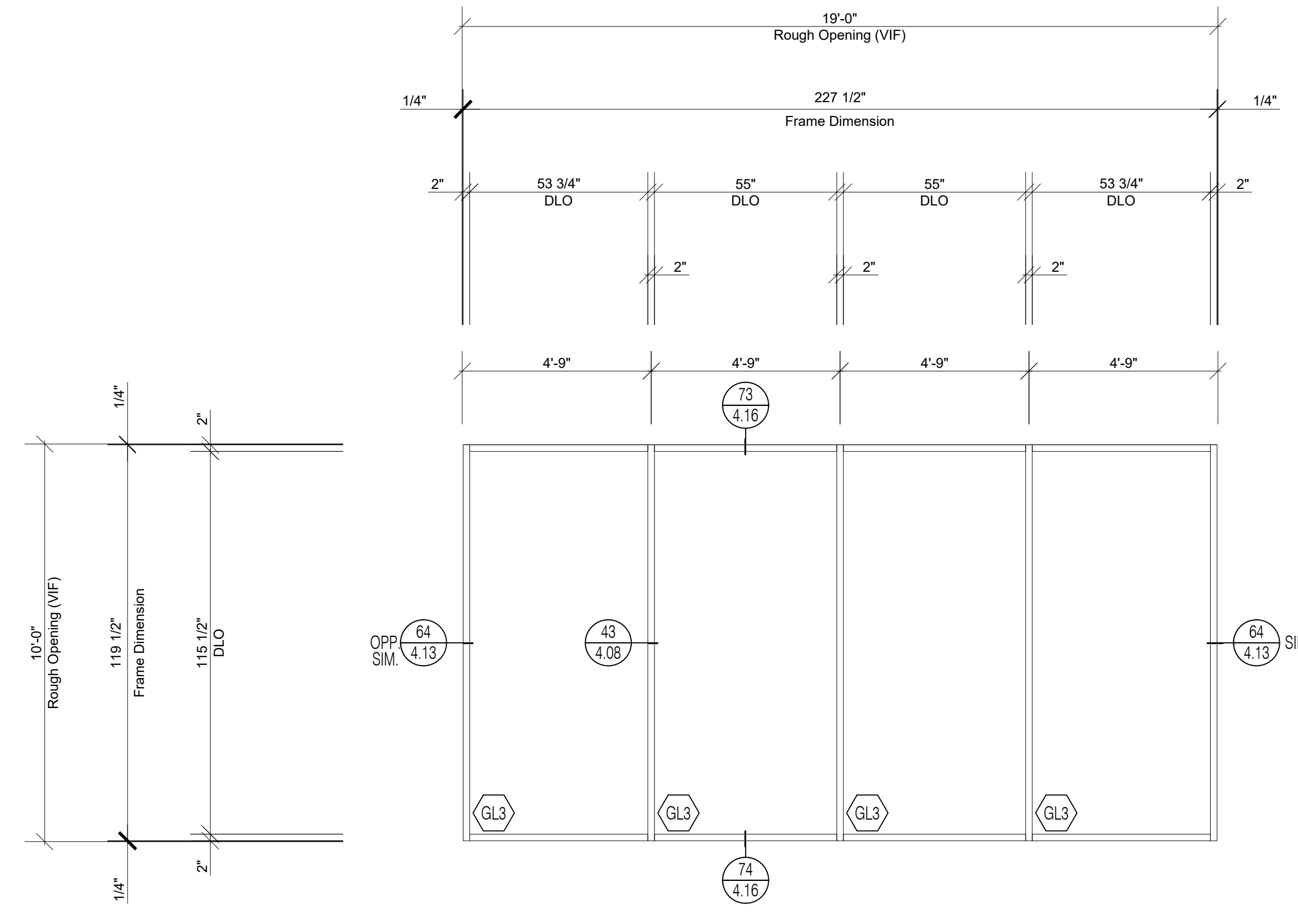




**SF12** Storefront Elevation

EFCO 433 Series  
2' x 4 1/2" Front Set System  
Scale: 3/8" = 1' - 0"  
Arch Ref: W28 / A-606

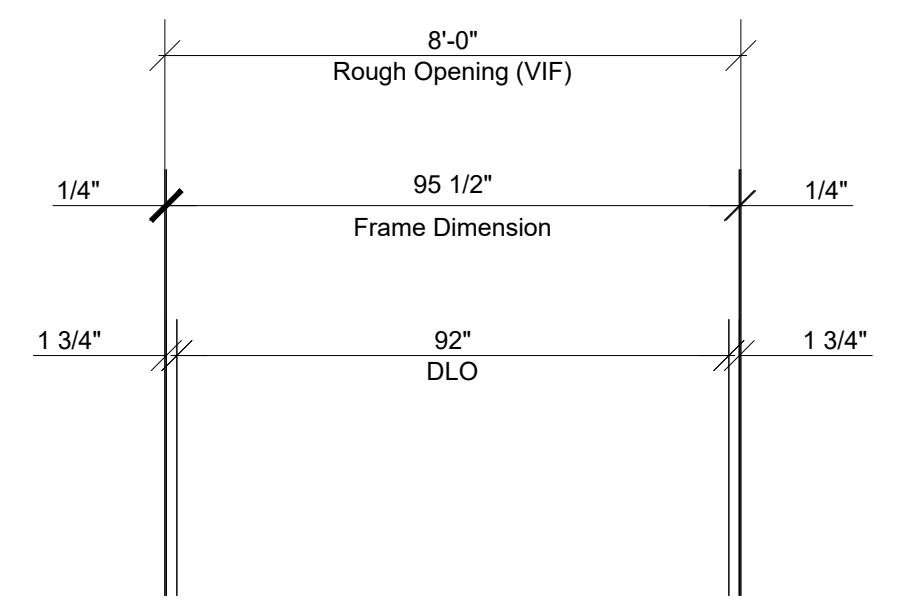
Total: 1 Thus



**SF12A** Storefront Elevation

EFCO 433 Series  
2' x 4 1/2" Front Set System  
Scale: 3/8" = 1' - 0"  
Arch Ref: W28 / A-606

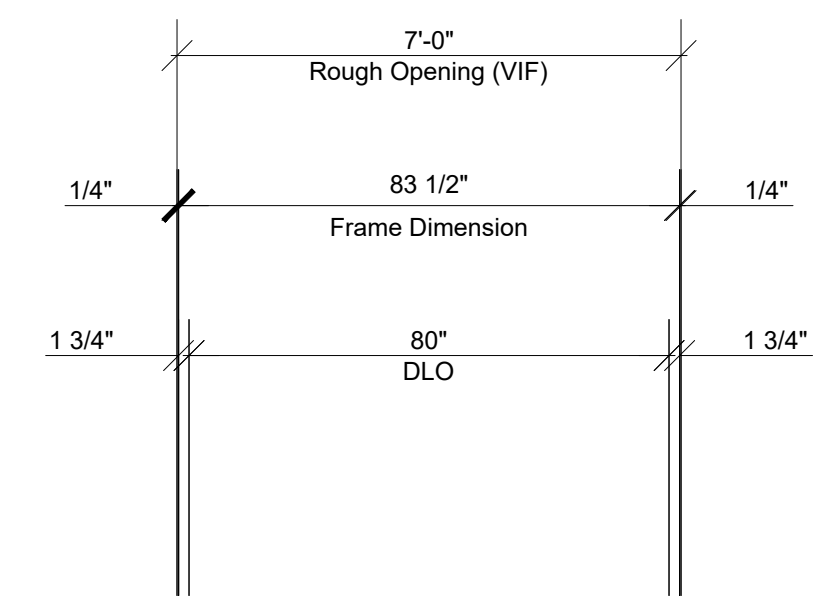
Total: 1 Thus



**SF13** Storefront Elevation

EFCO 401 Series  
1 3/4" x 4 1/2" Center Set System  
Scale: 3/8" = 1' - 0"  
Arch Ref: W46 / A-606

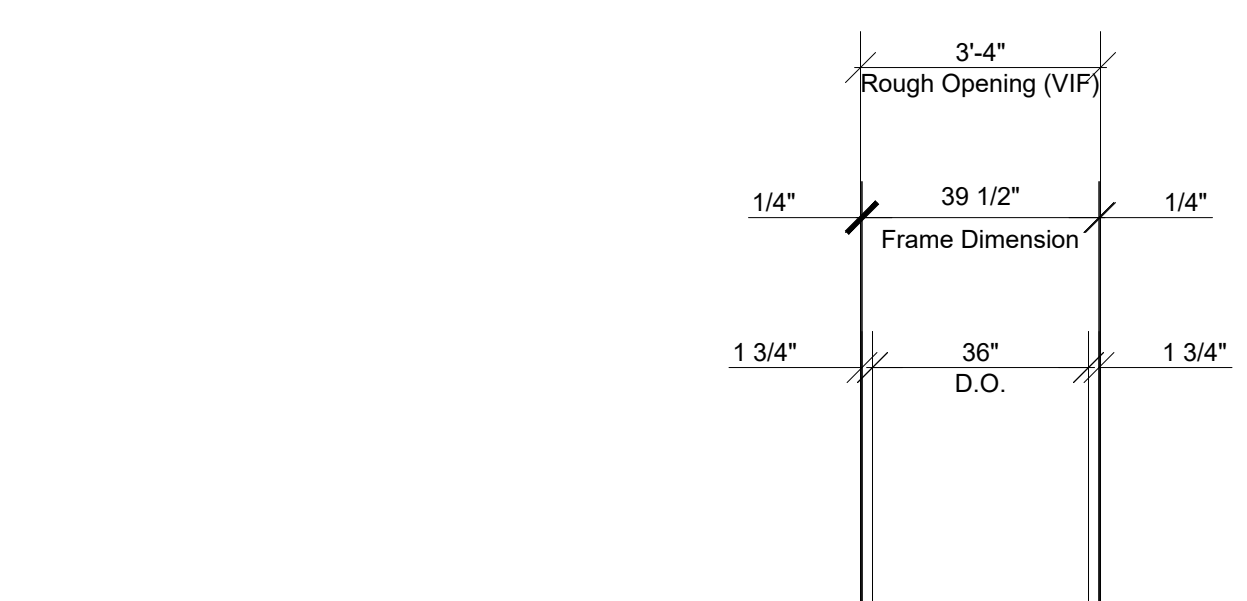
Total: 1 Thus



**SF14** Storefront Elevation

EFCO 401 Series  
1 3/4" x 4 1/2" Center Set System  
Scale: 3/8" = 1' - 0"  
Arch Ref: W47 / A-606

Total: 1 Thus



**SF15** Storefront Elevation

EFCO 401 Series  
1 3/4" x 4 1/2" Center Set System  
EFCO D300 Series Medium Stile Door  
Scale: 3/8" = 1' - 0"  
Arch Ref: None

Total: 1 Thus / 1 Opp.

Door 107A  
Door 108A

**FRONTIER GLASS Inc.**  
Your Source For Superior Glass Products And Services!  
(585) 235-0180 Fax (585) 235-0207  
175 Colvin St • Rochester • NY • 14611 •

**IMPORTANT**  
These Shop Drawings are our interpretation of the contract documents. It shall be the responsibility of the General Contractor (or Construction Manager) to review these drawings for compliance with the design intent and Contract Documents. When these drawings are returned with "Approved", "Approved as Noted" or "Reviewed" stamped on them, it shall constitute the General Contractors (or Construction Managers) and Architects agreement that the Shop Drawings do comply with the design intent and the Contract Documents.

**DO NOT SCALE PLANS**  
Copying, Printing, Software and other processes required to produce these prints can stretch or shrink the actual paper or layout. Therefore, scaling of this drawing may be inaccurate. Contact the Glazing Contractor for any additional dimensions or clarifications.

Shop Drawings Prepared By



Charrette Studios Inc.  
23581 Donaldson Street  
Clinton Township, Michigan 48035  
P: 586-790-4329 | F: 586-790-4346

**CSI Project Information**  
Drawn By: Erica Domurat  
CSI Project No: 05092199

**Architect**  
OPK Design  
450 South Salina Street, Suite 500  
Syracuse, NY 13201-0029

**General Cntr. or Constuction Mgr.**  
Granger Construction Company  
6701 Manlius Center Road  
East Syracuse, NY 13057

No.	Date	Subject
1	06-22-18	First Submittal

**Project Name & Location**  
  
Dig Safely NY  
  
6706 Collamer Road  
East Syracuse, NY 13057  
Curtain Wall, Storefront & Glass Wall  
Shop Drawings

**Project Information**  
Project Manager: Paul Kelsch

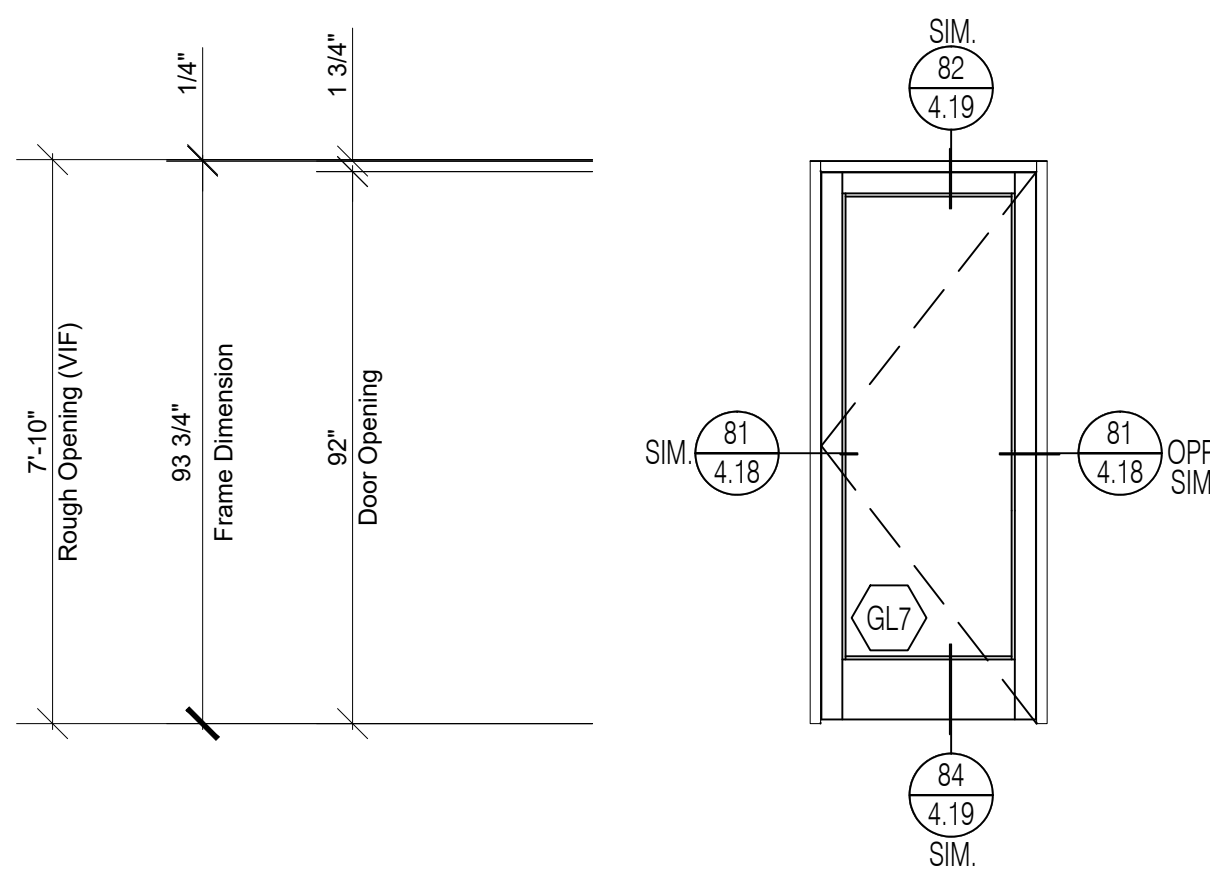
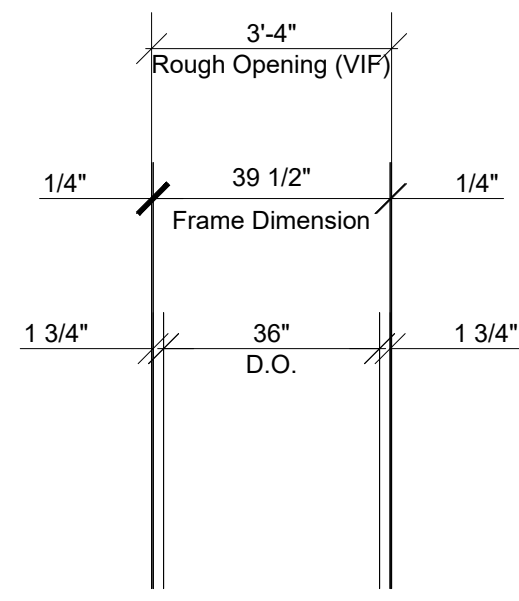
**Drawing Title**  
Elevations

Scale: As Noted

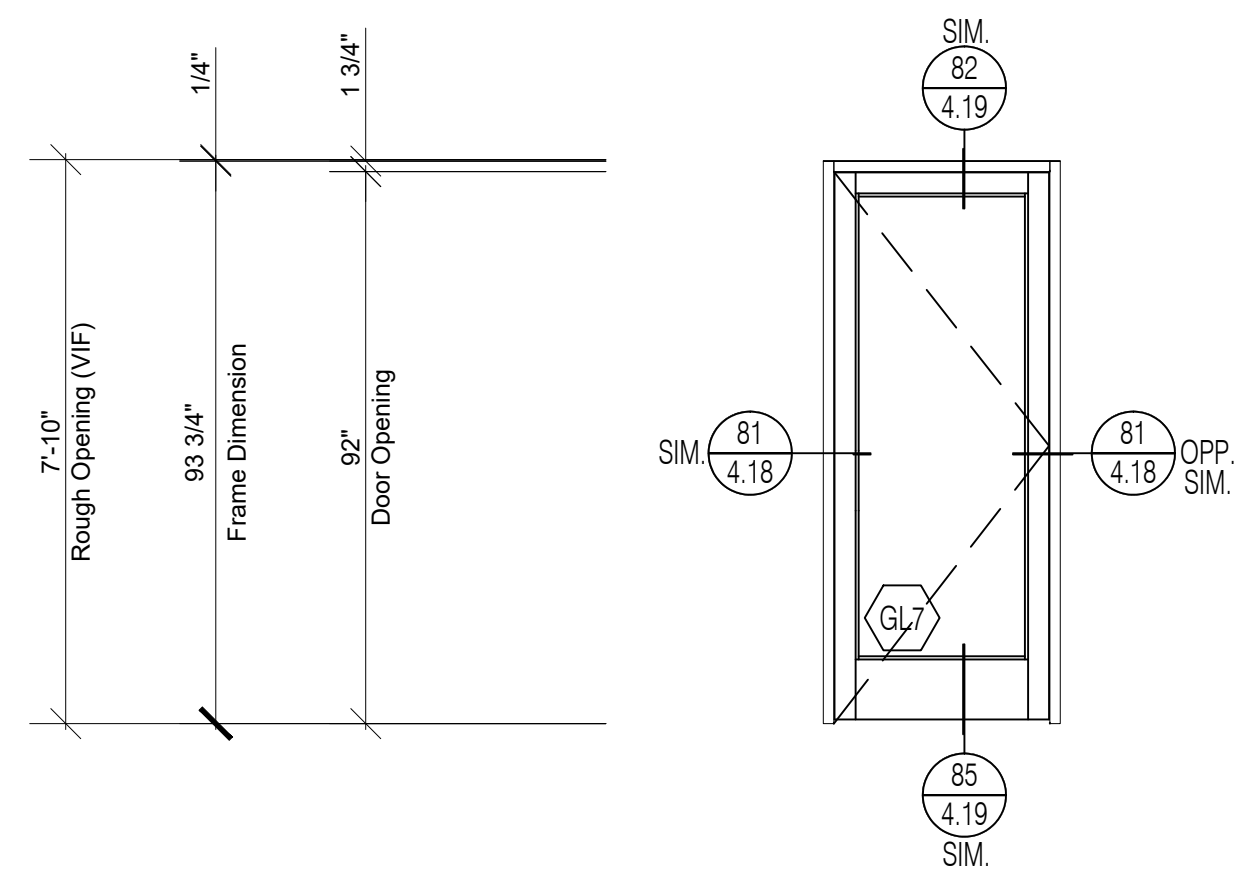
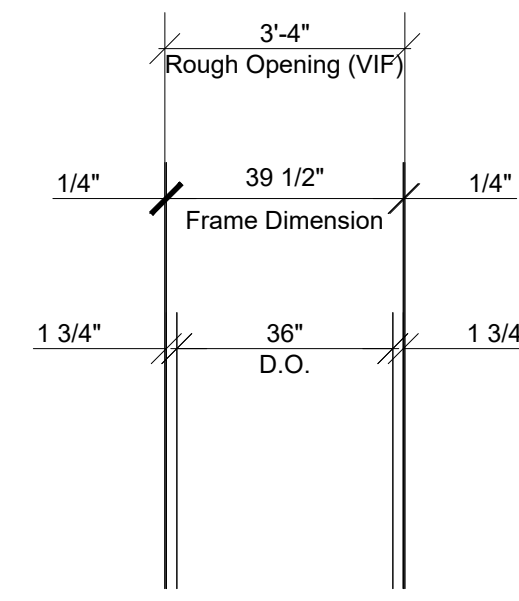
Sheet Number

3.08

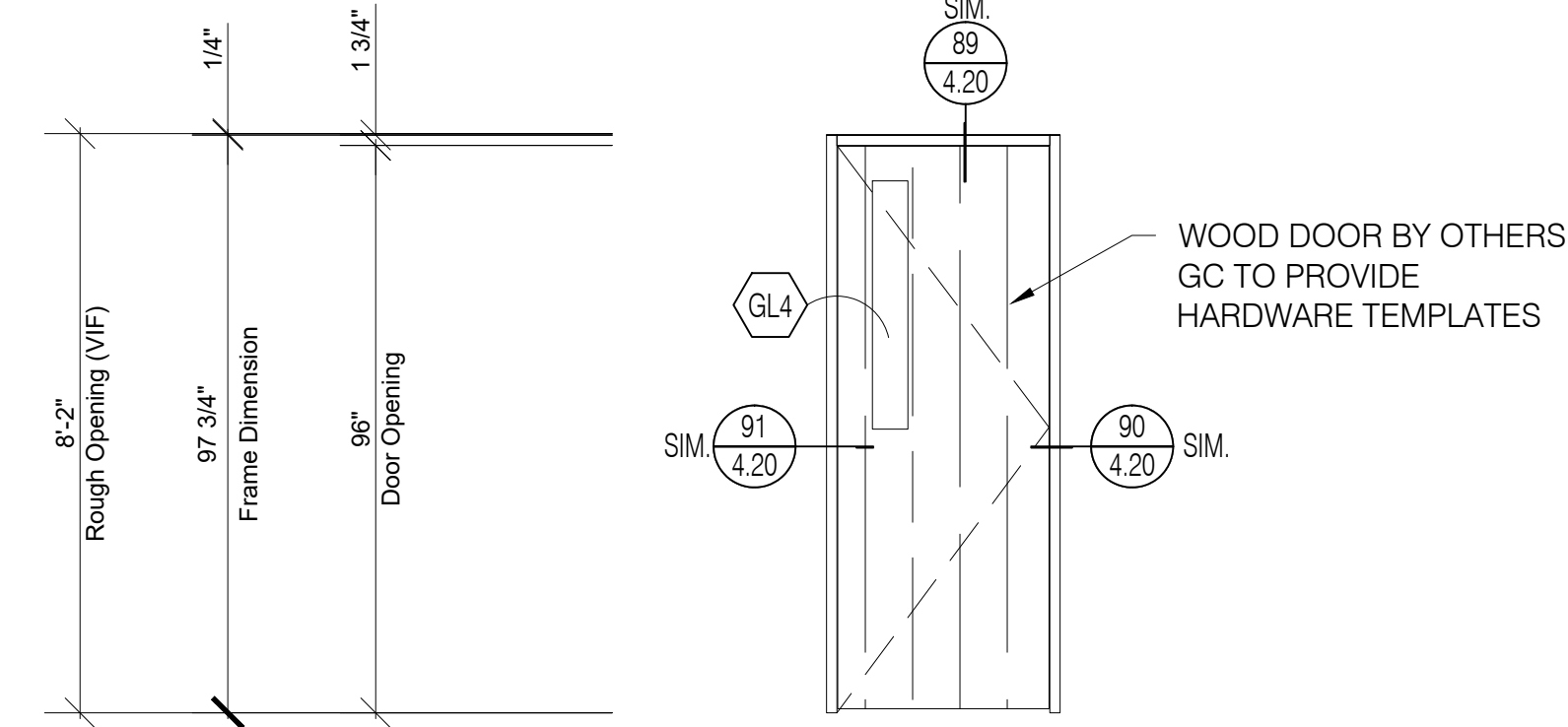
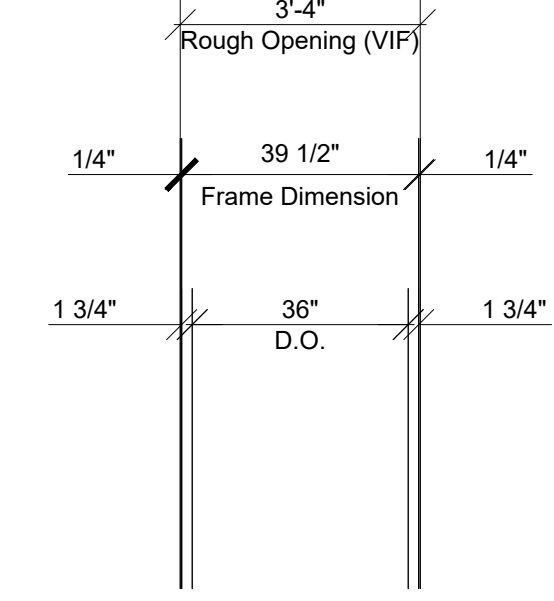




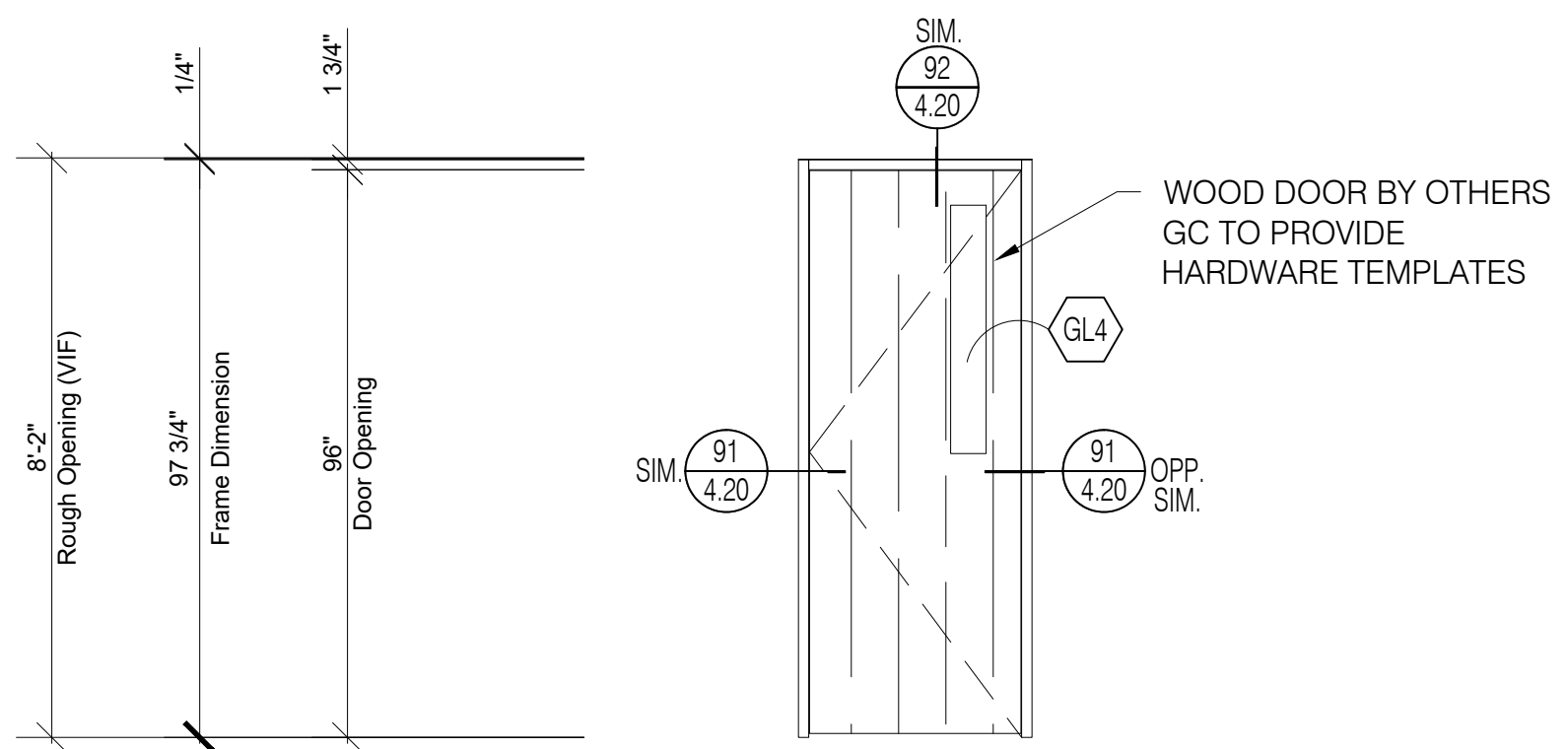
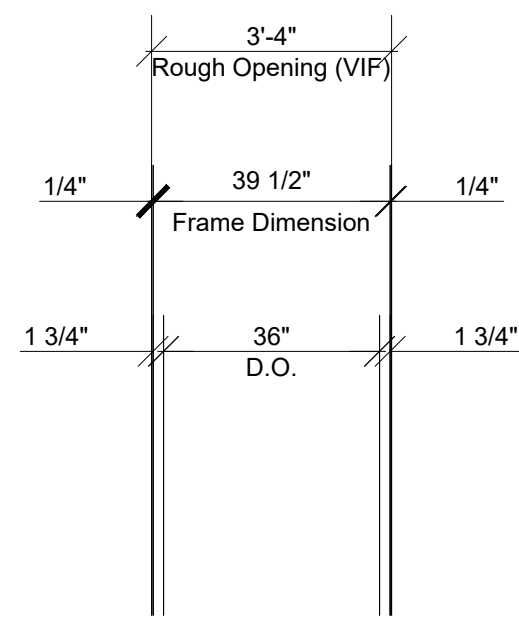
**SF16** Storefront Elevation  
 EFCO 401 Series  
 1 3/4" x 4 1/2" Center Set System  
 EFCO D300 Series Medium Stile Door  
 Scale: 3/8" = 1' - 0"  
 Arch Ref: None  
**Total:** 1 Thus / 1 Opp. Door 116A Door 117A



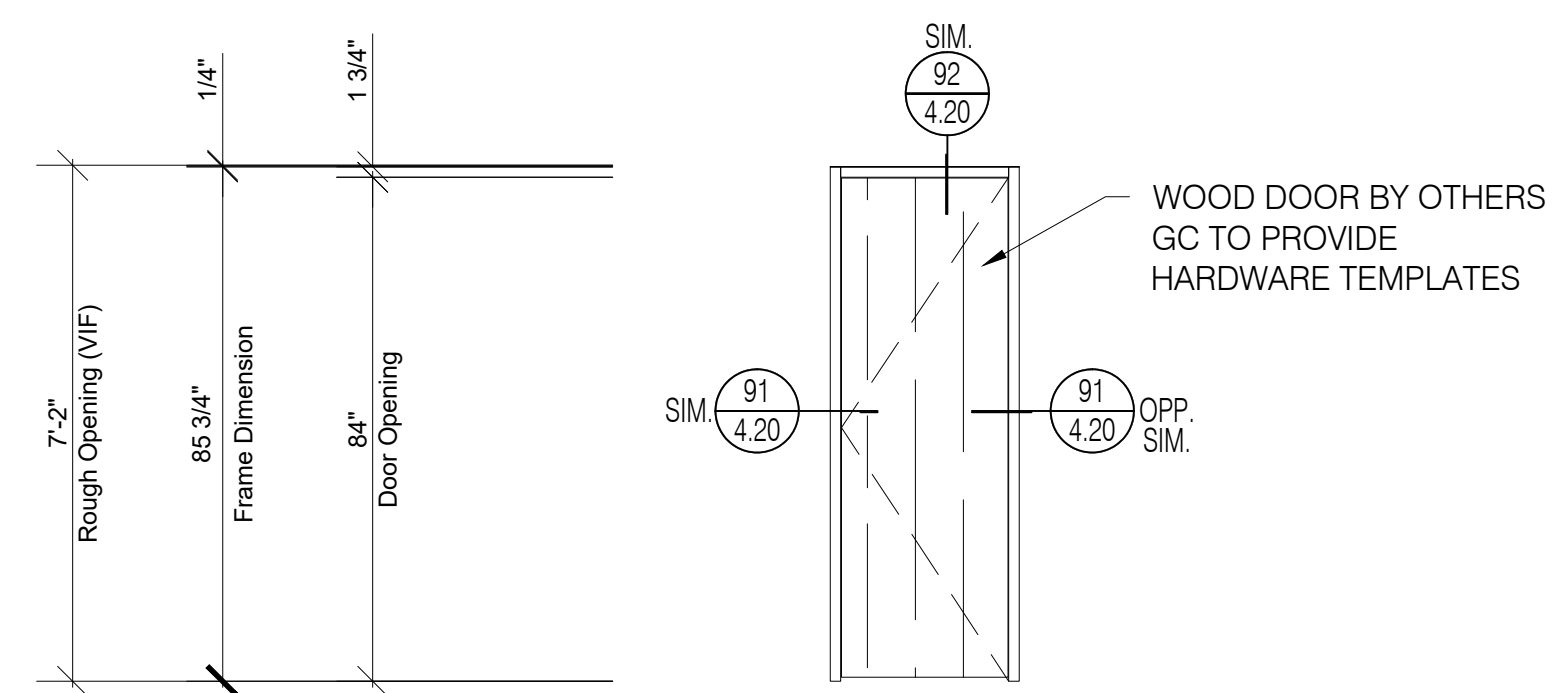
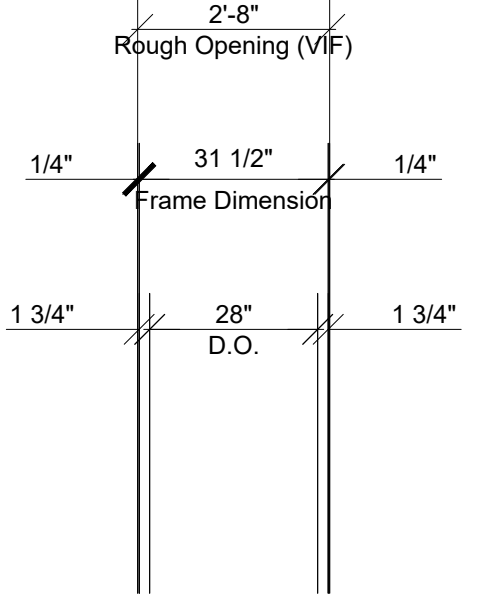
**SF17** Storefront Elevation  
 EFCO 401 Series  
 1 3/4" x 4 1/2" Center Set System  
 EFCO D300 Series Medium Stile Door  
 Scale: 3/8" = 1' - 0"  
 Arch Ref: None  
**Total:** 1 Thus / 1 Opp. Door 116B Door 117B



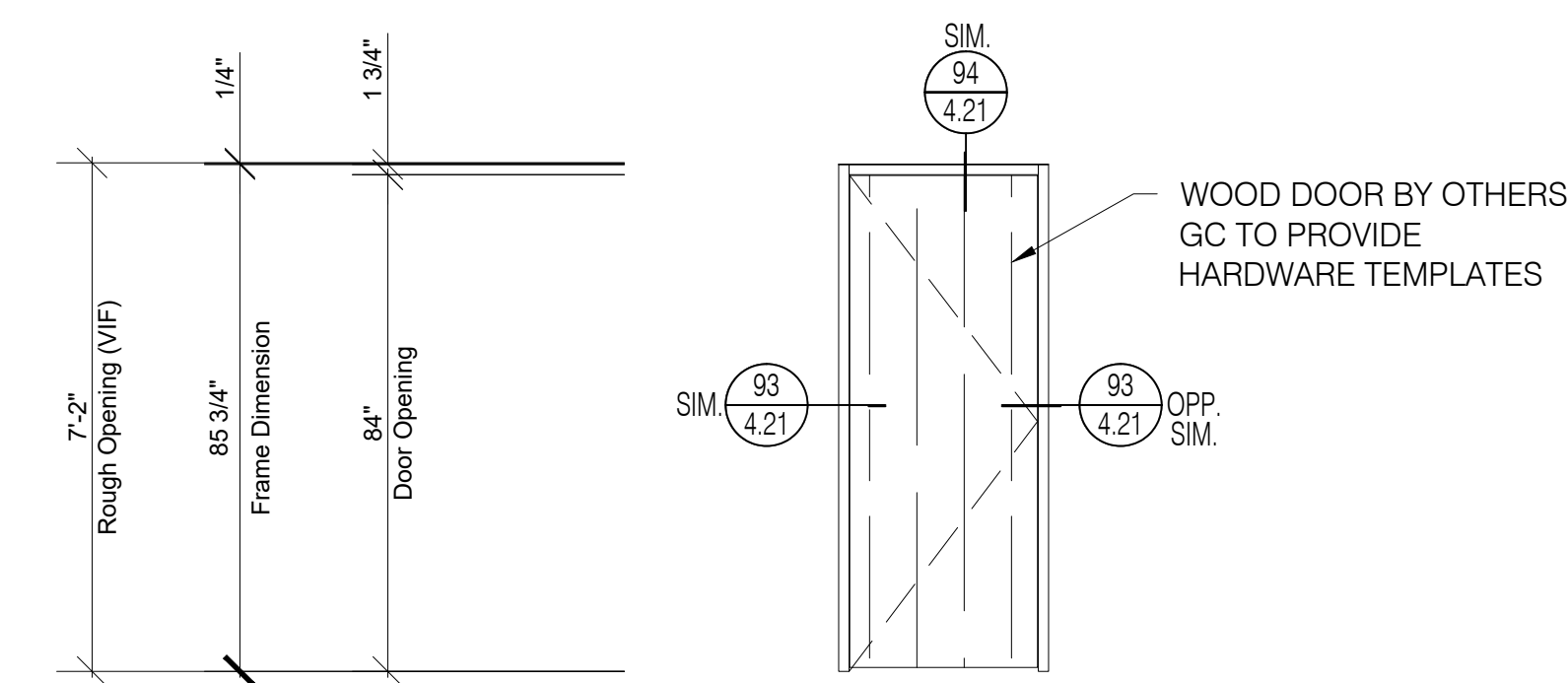
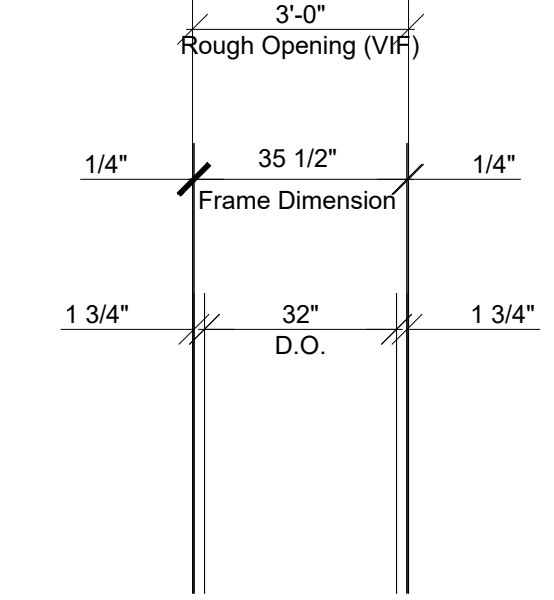
**SF18** Storefront Elevation  
 EFCO 401 Series  
 1 3/4" x 4 1/2" Center Set System  
 Wood Door By Others  
 Scale: 3/8" = 1' - 0"  
 Arch Ref: None  
**Total:** 1 Thus Door 104A



**SF19** Storefront Elevation  
 EFCO 401 Series  
 1 3/4" x 4 1/2" Center Set System  
 Wood Door By Others  
 Scale: 3/8" = 1' - 0"  
 Arch Ref: None  
**Total:** 2 Thus / 1 Opp. Door 104B Door 128B Door 128C



**SF20** Storefront Elevation  
 EFCO 401 Series  
 1 3/4" x 4 1/2" Center Set System  
 Wood Door By Others  
 Scale: 3/8" = 1' - 0"  
 Arch Ref: None  
**Total:** 4 Thus Door 107B Door 107C Door 116D Door 116E



**SF21** Storefront Elevation  
 EFCO 401 Series  
 1 3/4" x 4 1/2" Center Set System  
 Wood Door By Others  
 Scale: 3/8" = 1' - 0"  
 Arch Ref: None  
**Total:** 1 Thus Door 107D

**FRONTIER GLASS Inc.**  
 Your Source For Superior Glass Products And Services!  
 (585) 235-0180 Fax (585) 235-0207  
 • 175 Colvin St • Rochester • NY • 14611 •

**IMPORTANT**  
 These Shop Drawings are our interpretation of the contract documents. It shall be the responsibility of the General Contractor (or Construction Manager) to review these drawings for compliance with the design intent and Contract Documents. When these drawings are returned with "Approved", "Approved as Noted" or "Reviewed" stamped on them, it shall constitute the General Contractors (or Construction Managers) and Architects agreement that the Shop Drawings do comply with the design intent and the Contract Documents.

**DO NOT SCALE PLANS**  
 Copying, Printing, Software and other processes required to produce these prints can stretch or shrink the actual paper or layout. Therefore, scaling of this drawing may be inaccurate. Contact the Glazing Contractor for any additional dimensions or clarifications.

Shop Drawings Prepared By



Charrette Studios Inc.  
 23581 Donaldson Street  
 Clinton Township, Michigan 48035  
 P: 586-790-4329 | F: 586-790-4346

**CSI Project Information**  
 Drawn By: Erica Domurat  
 CSI Project No: 05092199

**Architect**  
 OPK Design  
 450 South Salina Street, Suite 500  
 Syracuse, NY 13201-0029

**General Cntr. or Constuction Mgr.**  
 Granger Construction Company  
 6701 Manlius Center Road  
 East Syracuse, NY 13057

Issue & Revision Dates		
No.	Date	Subject
1	06-22-18	First Submittal

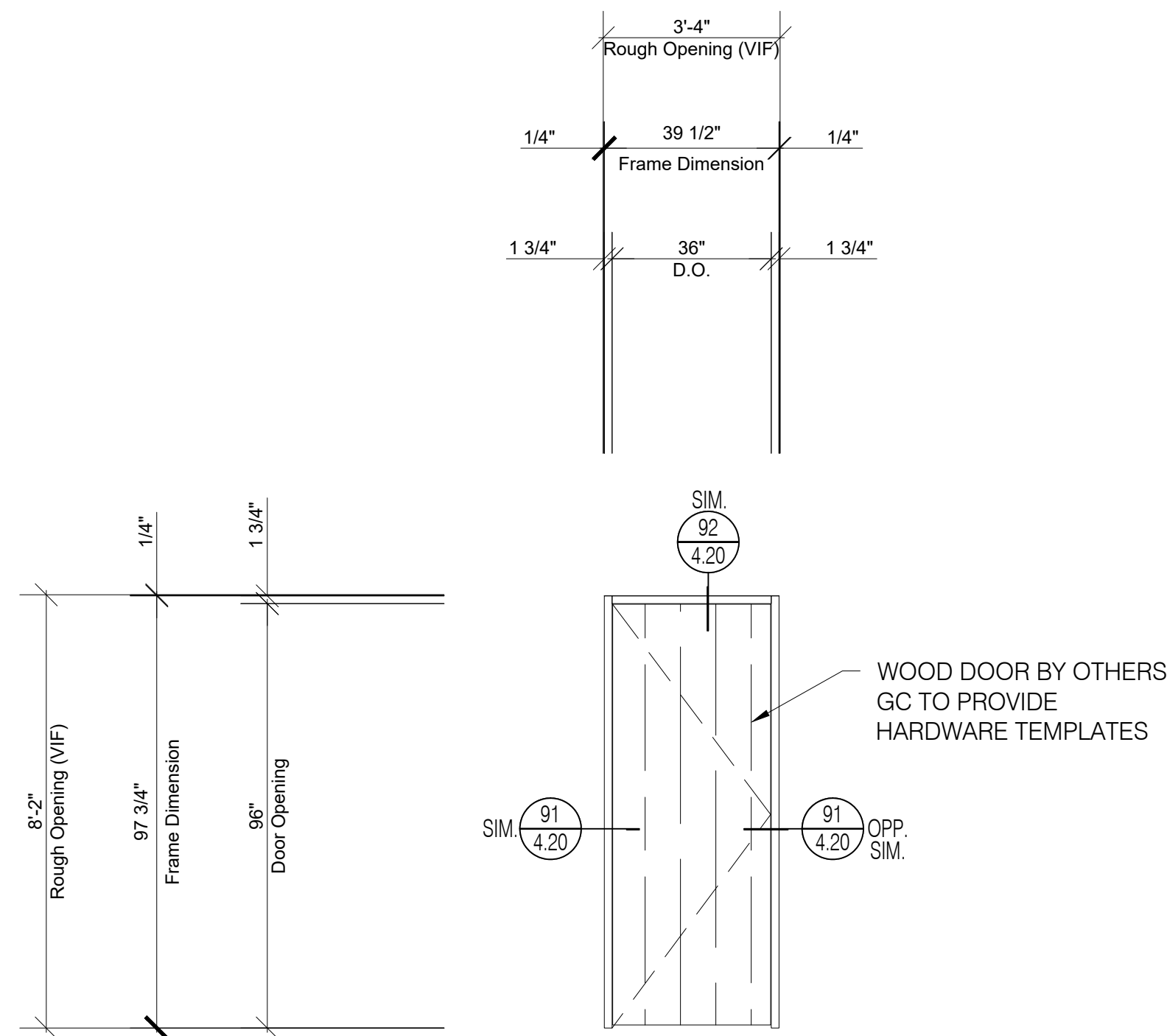
**Project Name & Location**  
 Dig Safely NY  
 6706 Collamer Road  
 East Syracuse, NY 13057  
 Curtain Wall, Storefront & Glass Wall Shop Drawings

**Project Information**  
 Project Manager: Paul Kelsch

**Drawing Title**  
 Elevations

**Scale:** As Noted

**Sheet Number**  
 3.09



**SF22**

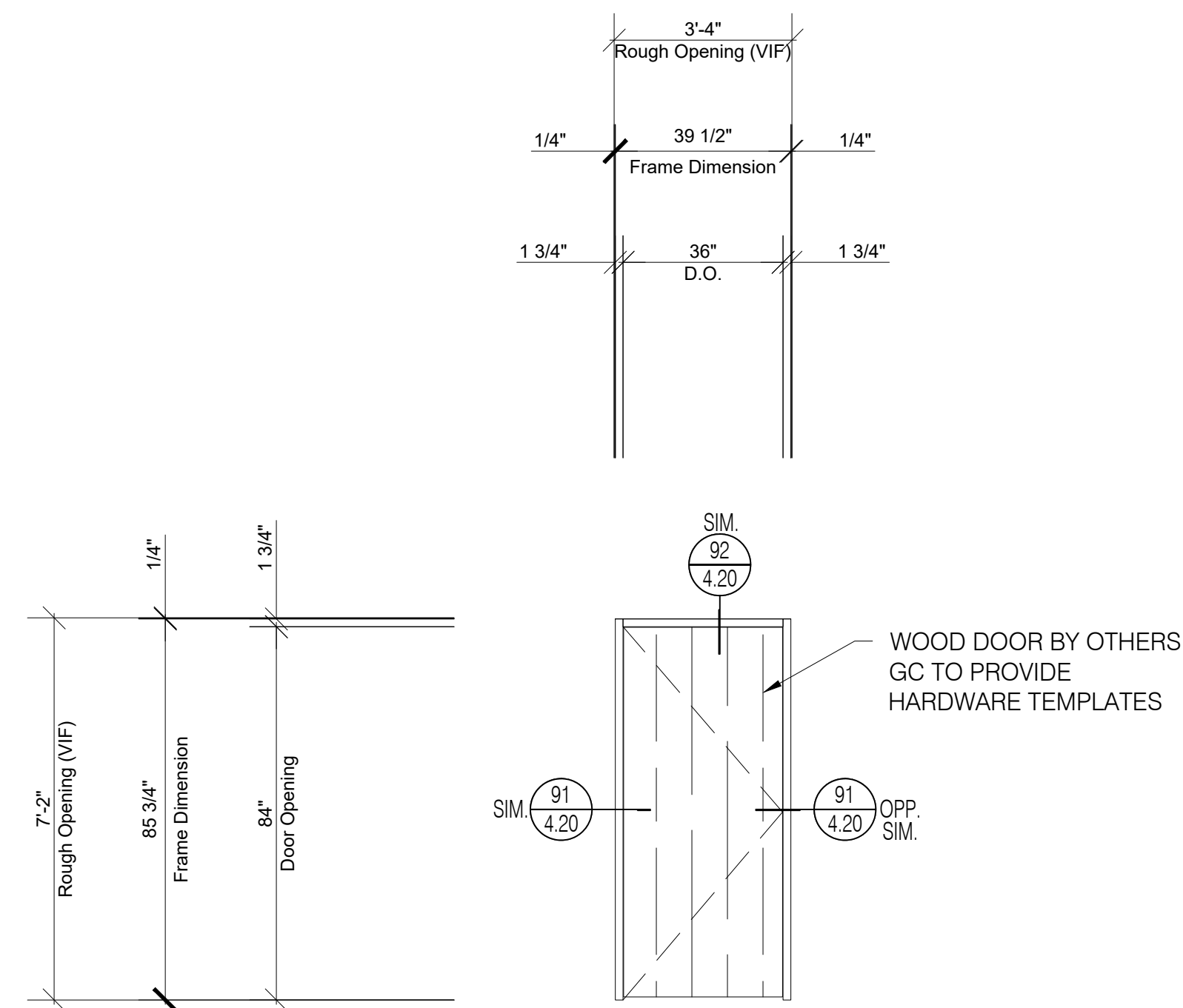
Storefront Elevation

EFCO 401 Series  
1 3/4" x 4 1/2" Center Set System  
Wood Door By Others

Scale: 3/8" = 1' - 0"  
Arch Ref: None

Total: 1 Thus / 1 Opp.

Door 111A  
Door 114A



**SF23**

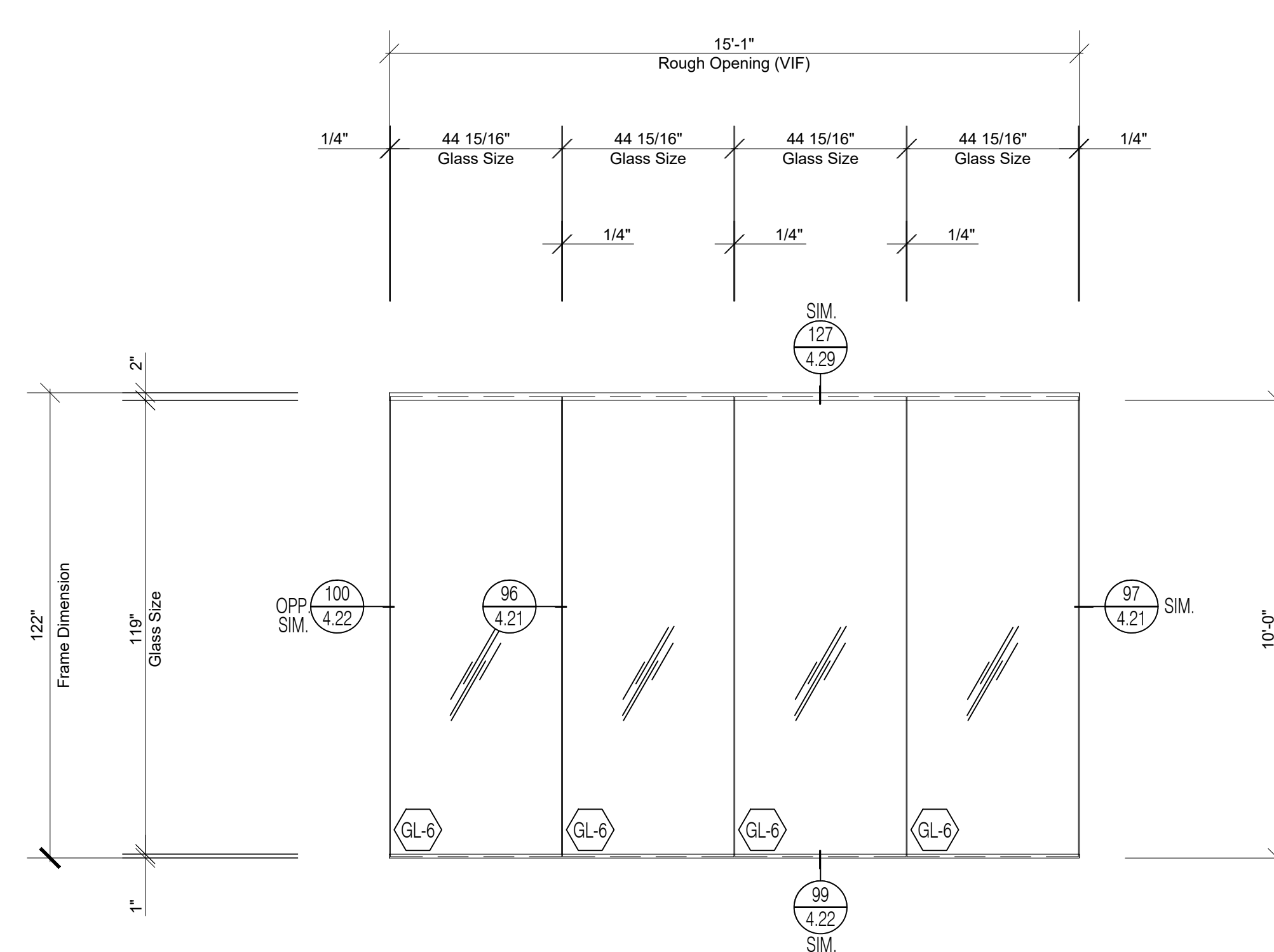
Storefront Elevation

EFCO 401 Series  
1 3/4" x 4 1/2" Center Set System  
Wood Door By Others

Scale: 3/8" = 1' - 0"  
Arch Ref: None

Total: 2 Thus / 2 Opp.

Door 116C  
Door 116F  
Door 117C  
Door 117D



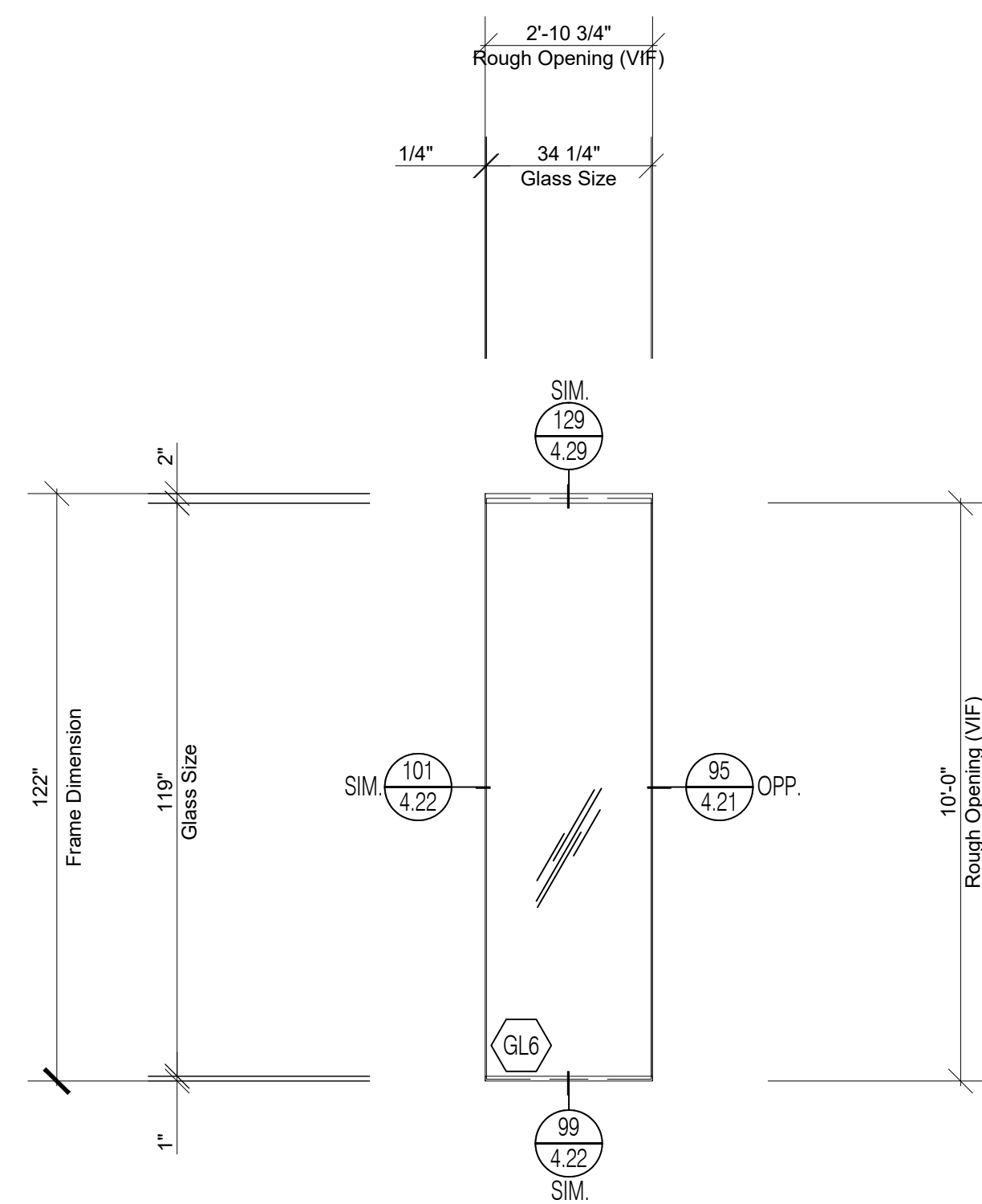
**G1**

Glass Wall Elevation

CR Laurence  
U-Channel System

Scale: 3/8" = 1' - 0"  
Arch Ref: W22 / A-606

Total: 1 Thus



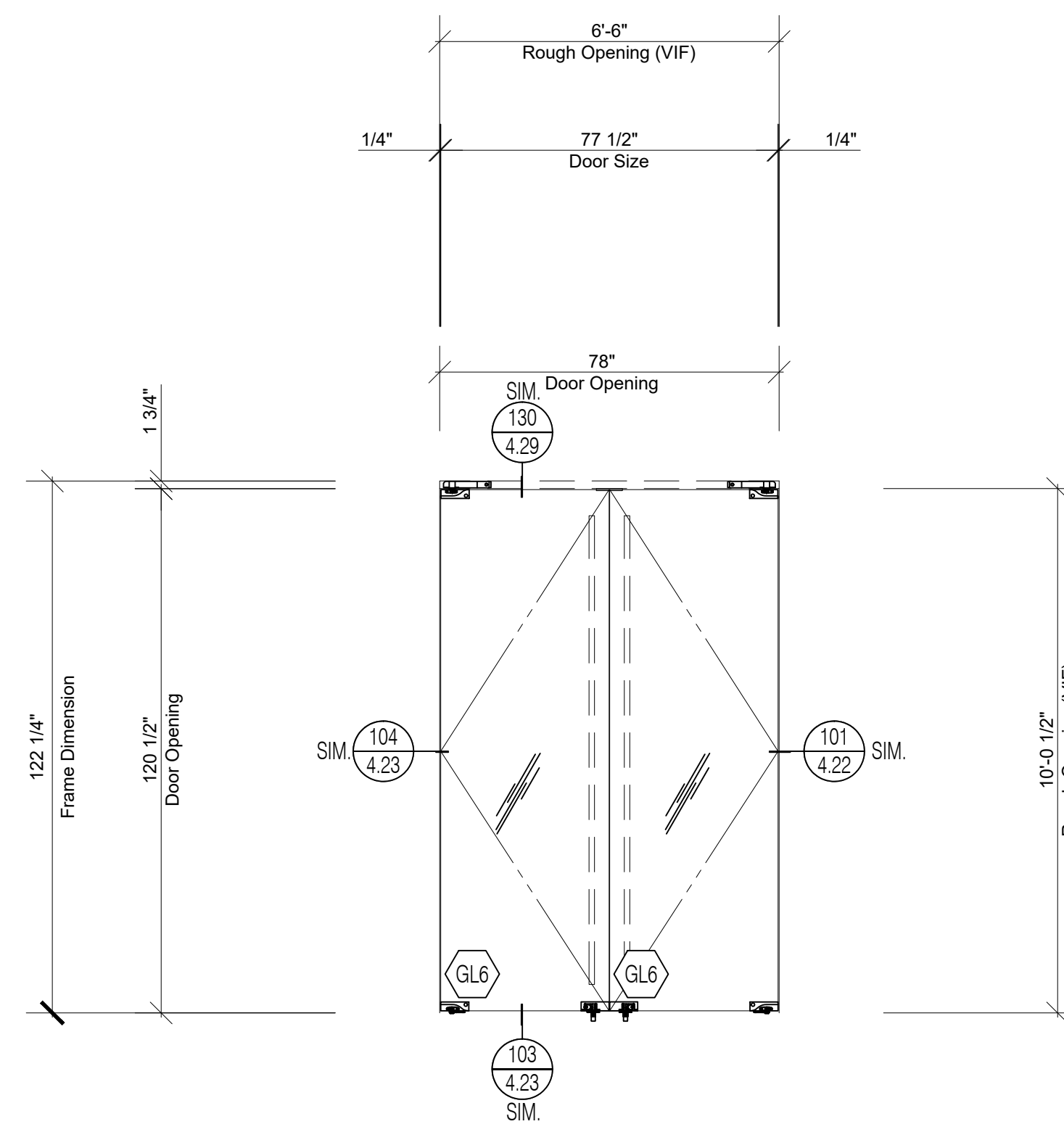
**G2**

Glass Wall Elevation

CR Laurence  
U-Channel System

Scale: 3/8" = 1' - 0"  
Arch Ref: W23 / A-606

Total: 1 Thus



**G3**

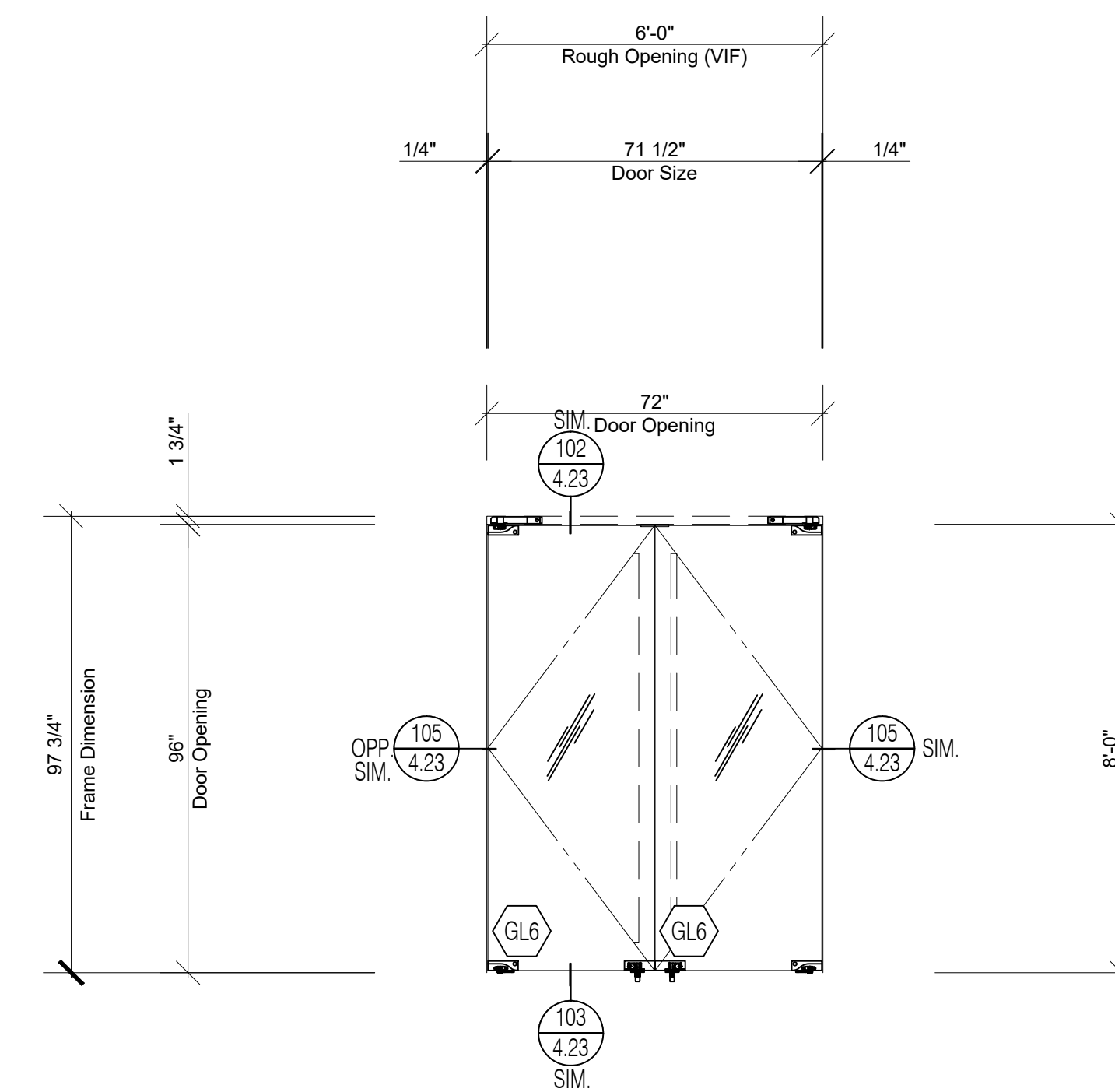
Glass Wall Elevation

CR Laurence  
U-Channel System  
CR Laurence Glass Doors

Scale: 3/8" = 1' - 0"  
Arch Ref: W24 / A-606

Total: 1 Thus

Door 109A



**G4**

Glass Wall Elevation

CR Laurence  
U-Channel System  
CR Laurence Glass Doors

Scale: 3/8" = 1' - 0"  
Arch Ref: W24 / A-606

Total: 1 Thus

Door 122A

**FRONTIER GLASS Inc.**  
Your Source For Superior Glass Products And Services!  
(585) 235-0180 Fax (585) 235-0207  
175 Colvin St • Rochester • NY • 14611 •

**IMPORTANT**  
These Shop Drawings are our interpretation of the contract documents. It shall be the responsibility of the General Contractor (or Construction Manager) to review these drawings for compliance with the design intent and Contract Documents. When these drawings are returned with "Approved", "Approved as Noted" or "Reviewed" stamped on them, it shall constitute the General Contractors (or Construction Managers) and Architects agreement that the Shop Drawings do comply with the design intent and the Contract Documents.

**DO NOT SCALE PLANS**  
Copying, Printing, Software and other processes required to produce these prints can stretch or shrink the actual paper or layout. Therefore, scaling of this drawing may be inaccurate. Contact the Glazing Contractor for any additional dimensions or clarifications.

Shop Drawings Prepared By



Charrette Studios Inc.  
23581 Donaldson Street  
Clinton Township, Michigan 48035  
P: 586-790-4329 | F: 586-790-4346

CSI Project Information

Drawn By: Erica Domurat  
CSI Project No: 05092199

Architect  
OPK Design

450 South Salina Street, Suite 500  
Syracuse, NY 13201-0029

General Cntr. or Constuction Mgr.  
Granger Construction Company  
6701 Manlius Center Road  
East Syracuse, NY 13057

Issue & Revision Dates

No.	Date	Subject
1	06-22-18	First Submittal

Project Name & Location

Dig Safely NY  
6706 Collamer Road  
East Syracuse, NY 13057  
Curtain Wall, Storefront & Glass Wall  
Shop Drawings

Project Information

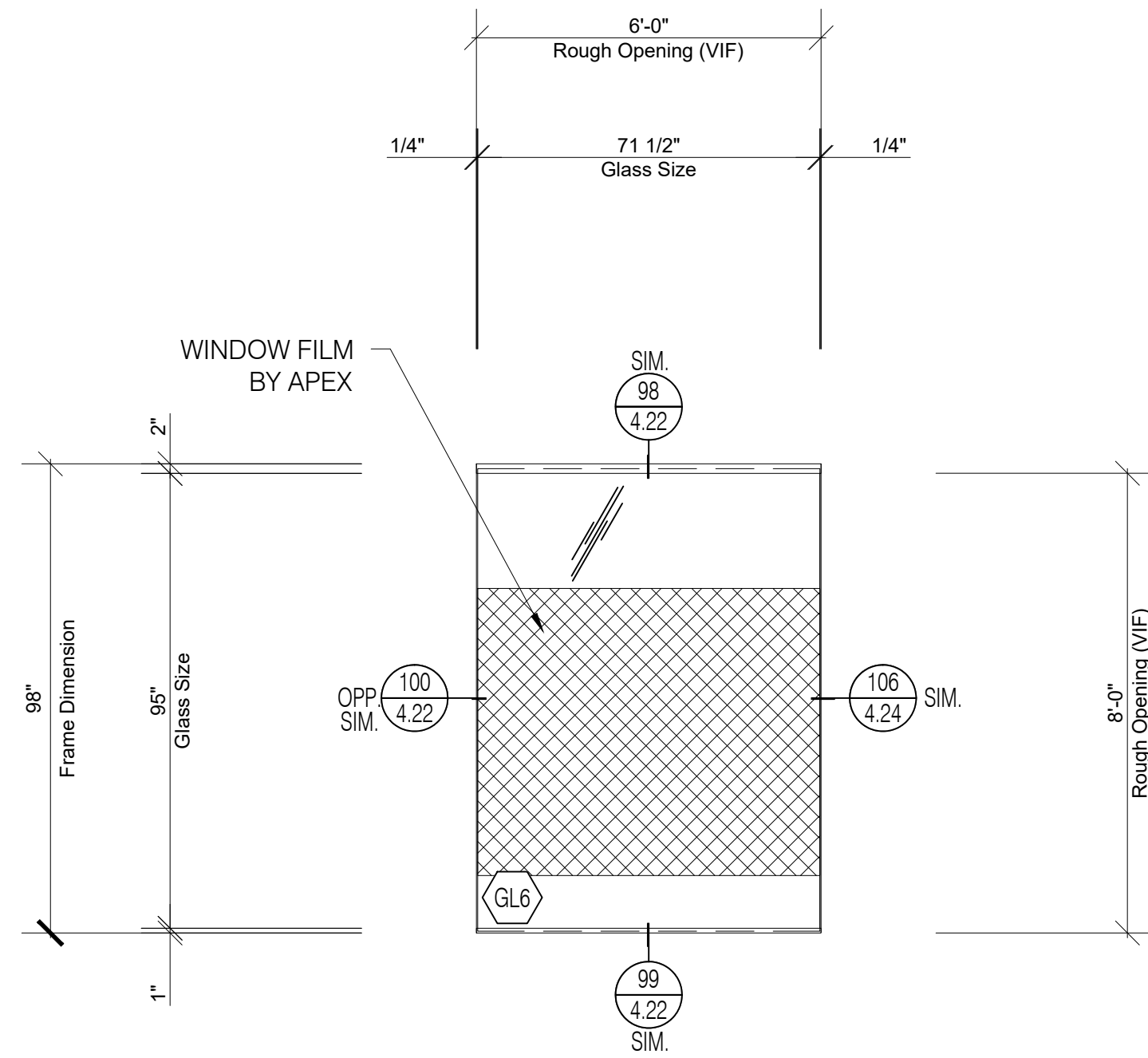
Project Manager: Paul Kelsch

Drawing Title  
Elevations

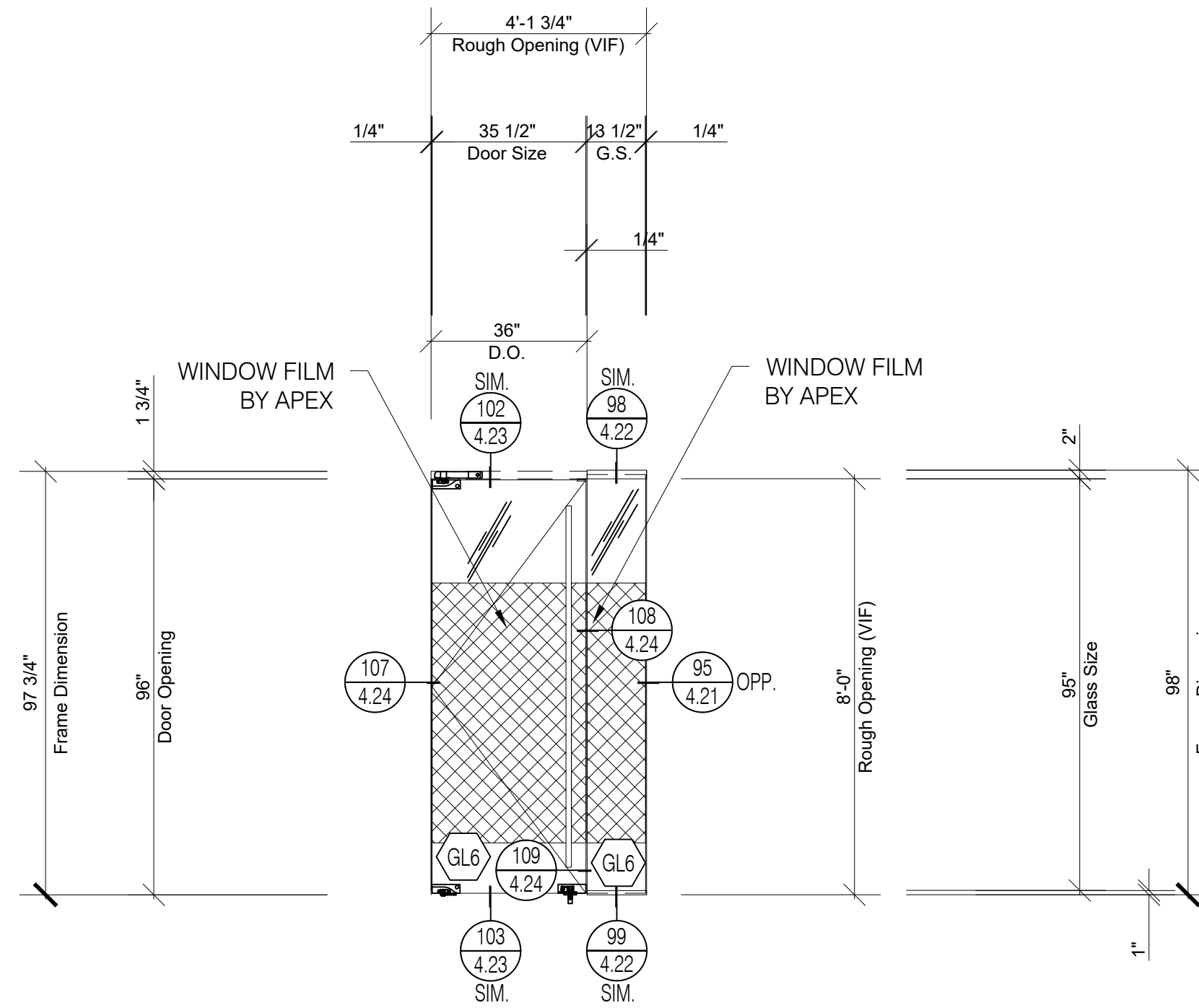
Scale: As Noted

Sheet Number

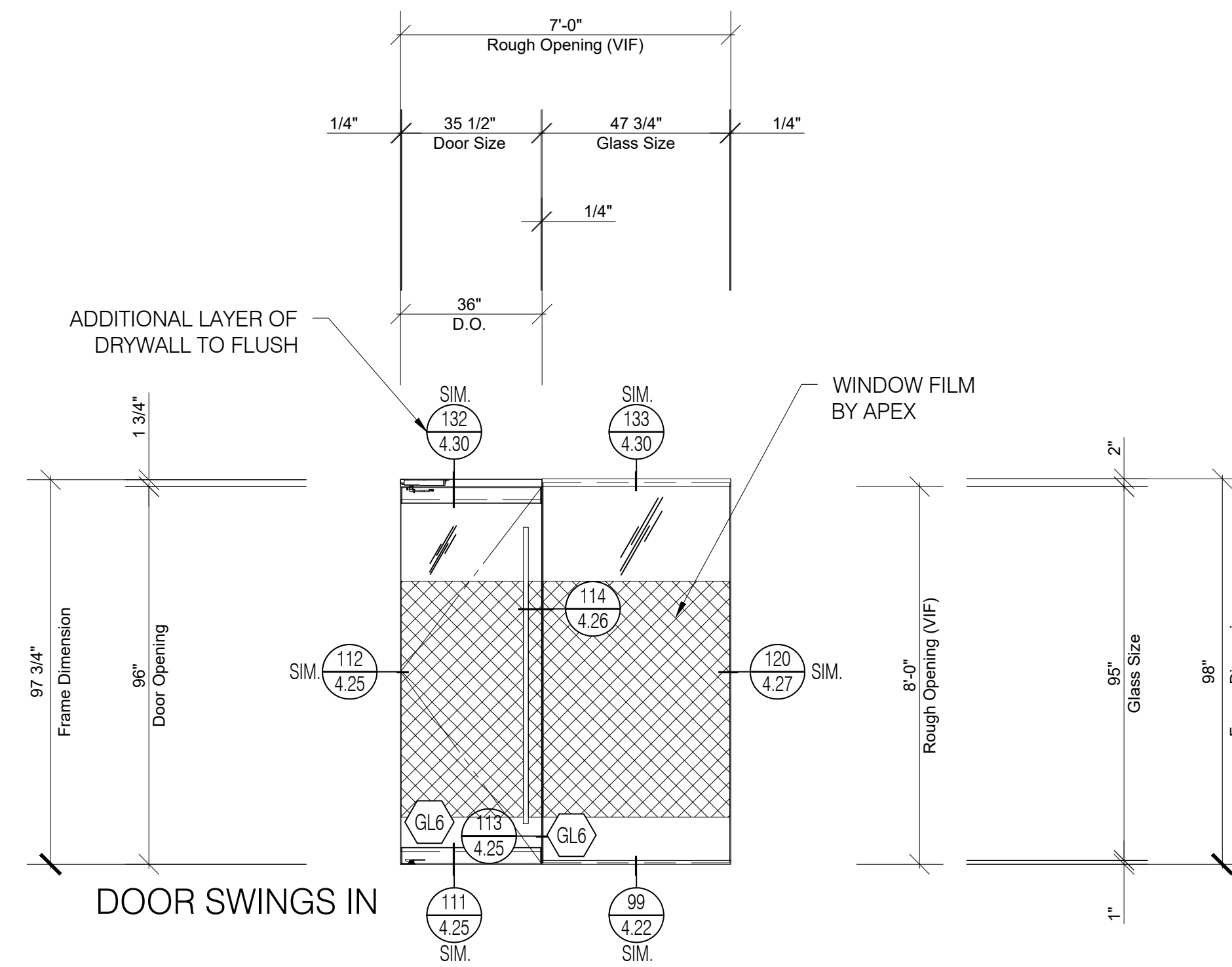
3.10



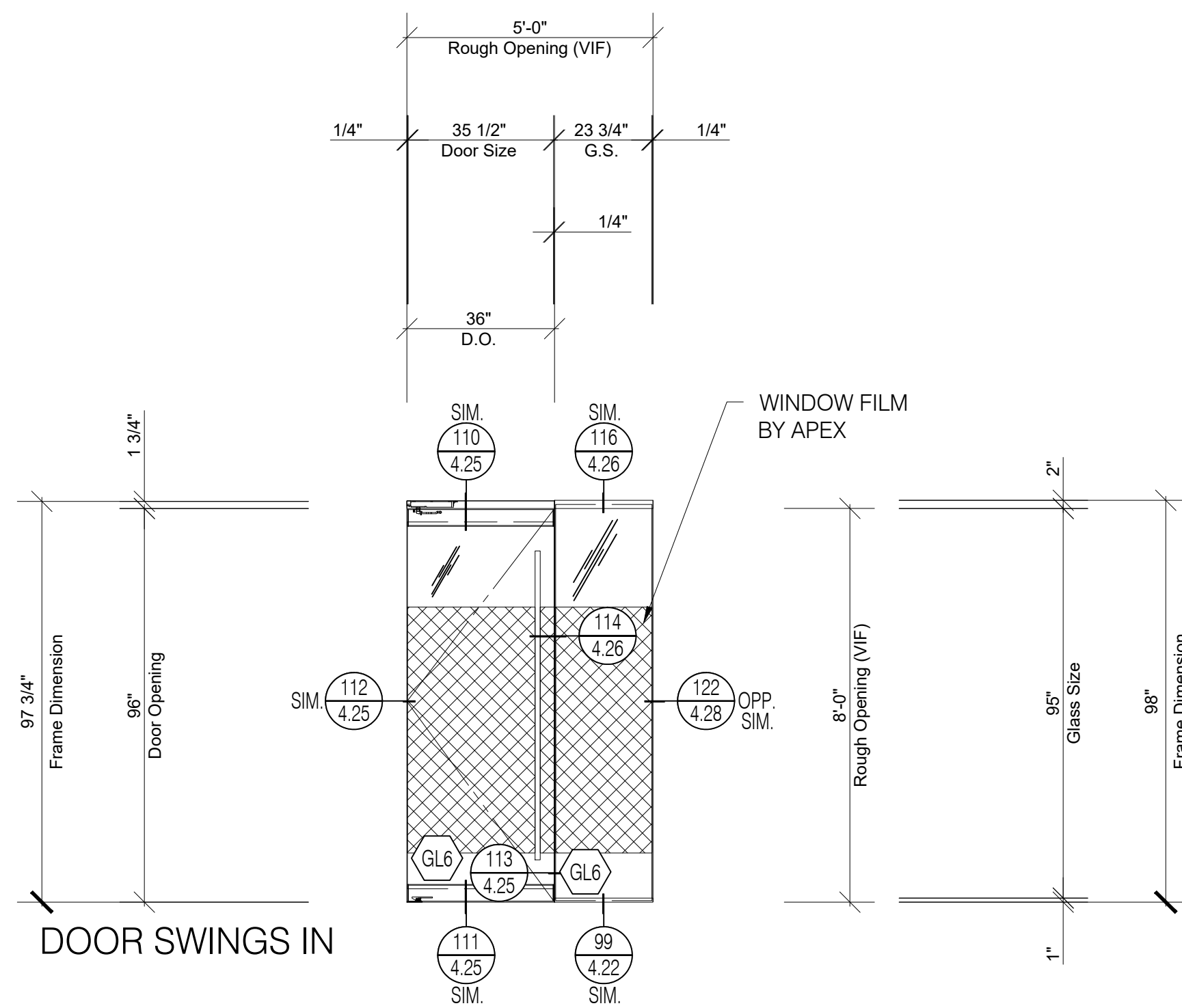
**G5** Glass Wall Elevation  
 CR Laurence U-Channel System  
 Scale: 3/8" = 1' - 0"  
 Arch Ref: W30 / A-606  
**Total:** 1 Thus



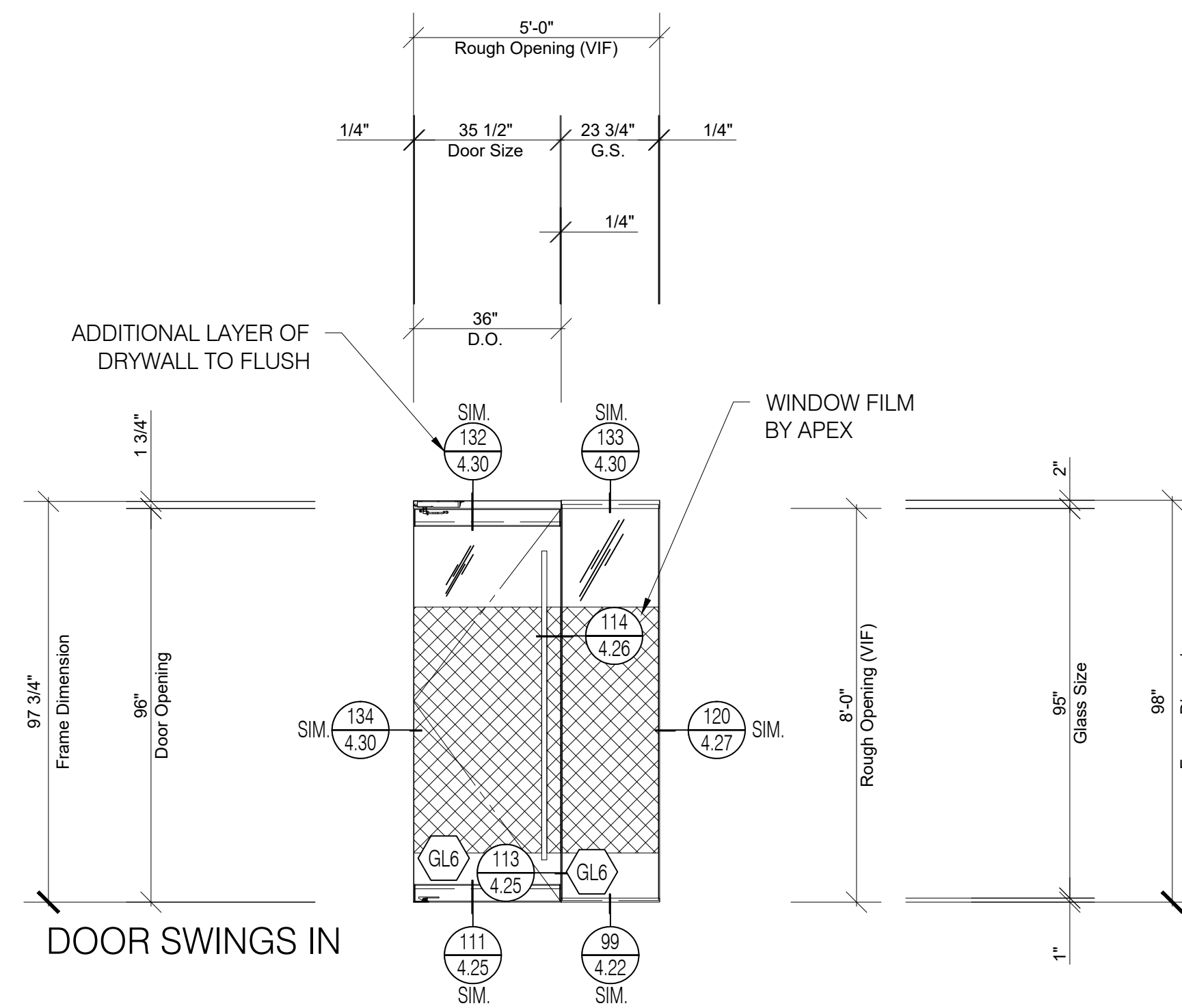
**G6** Glass Wall Elevation  
 CR Laurence U-Channel System  
 CR Laurence Glass Door  
 Scale: 3/8" = 1' - 0"  
 Arch Ref: W31 / A-606  
**Total:** 1 Thus



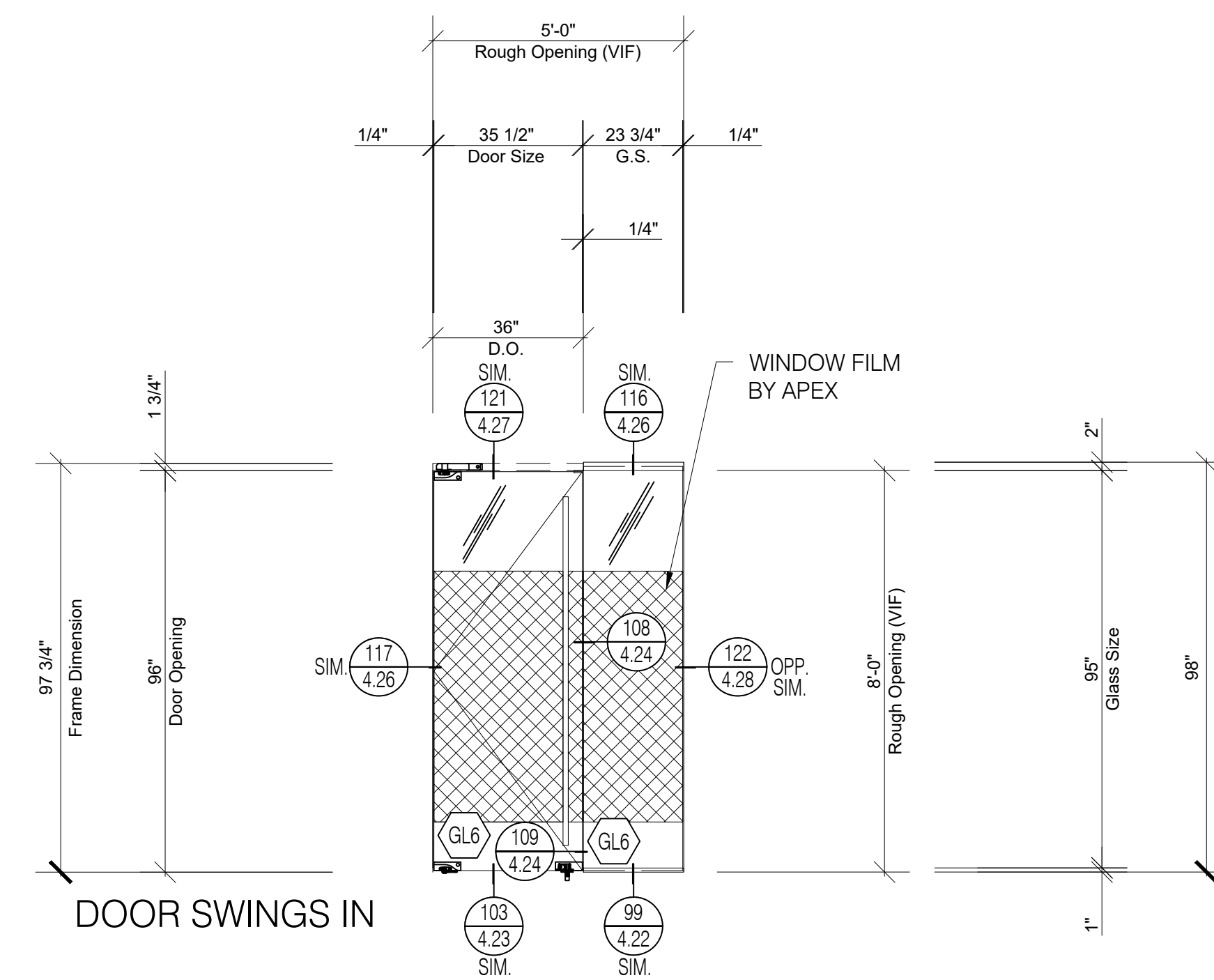
**G7** Glass Wall Elevation  
 CR Laurence U-Channel System  
 CR Laurence Glass Door  
 Scale: 3/8" = 1' - 0"  
 Arch Ref: W32 / A-606  
**Total:** 1 Thus



**G8** Glass Wall Elevation  
 CR Laurence U-Channel System  
 CR Laurence Glass Door  
 Scale: 3/8" = 1' - 0"  
 Arch Ref: W33 / A-606  
**Total:** 3 Thus



**G8A** Glass Wall Elevation  
 CR Laurence U-Channel System  
 CR Laurence Glass Door  
 Scale: 3/8" = 1' - 0"  
 Arch Ref: W33 / A-606  
**Total:** 1 Thus



**G9** Glass Wall Elevation  
 CR Laurence U-Channel System  
 CR Laurence Glass Door  
 Scale: 3/8" = 1' - 0"  
 Arch Ref: W33 / A-606  
**Total:** 1 Thus

**FRONTIER GLASS Inc.**  
 Your Source For Superior Glass Products And Services!  
 (585) 235-0180 Fax (585) 235-0207  
 • 175 Colvin St • Rochester • NY • 14611 •

**IMPORTANT**  
 These Shop Drawings are our interpretation of the contract documents. It shall be the responsibility of the General Contractor (or Construction Manager) to review these drawings for compliance with the design intent and Contract Documents. When these drawings are returned with "Approved", "Approved as Noted" or "Reviewed" stamped on them, it shall constitute the General Contractors (or Construction Managers) and Architects agreement that the Shop Drawings do comply with the design intent and the Contract Documents.

**DO NOT SCALE PLANS**  
 Copying, Printing, Software and other processes required to produce these prints can stretch or shrink the actual paper or layout. Therefore, scaling of this drawing may be inaccurate. Contact the Glazing Contractor for any additional dimensions or clarifications.

Shop Drawings Prepared By



Charrette Studios Inc.  
 23581 Donaldson Street  
 Clinton Township, Michigan 48035  
 P: 586-790-4329 | F: 586-790-4346

**CSI Project Information**  
 Drawn By: Erica Domurat  
 CSI Project No: 05092199

**Architect**  
 OPK Design  
 450 South Salina Street, Suite 500  
 Syracuse, NY 13201-0029

**General Cntr. or Constuction Mgr.**  
 Granger Construction Company  
 6701 Manlius Center Road  
 East Syracuse, NY 13057

No.	Date	Subject
1	06-22-18	First Submittal

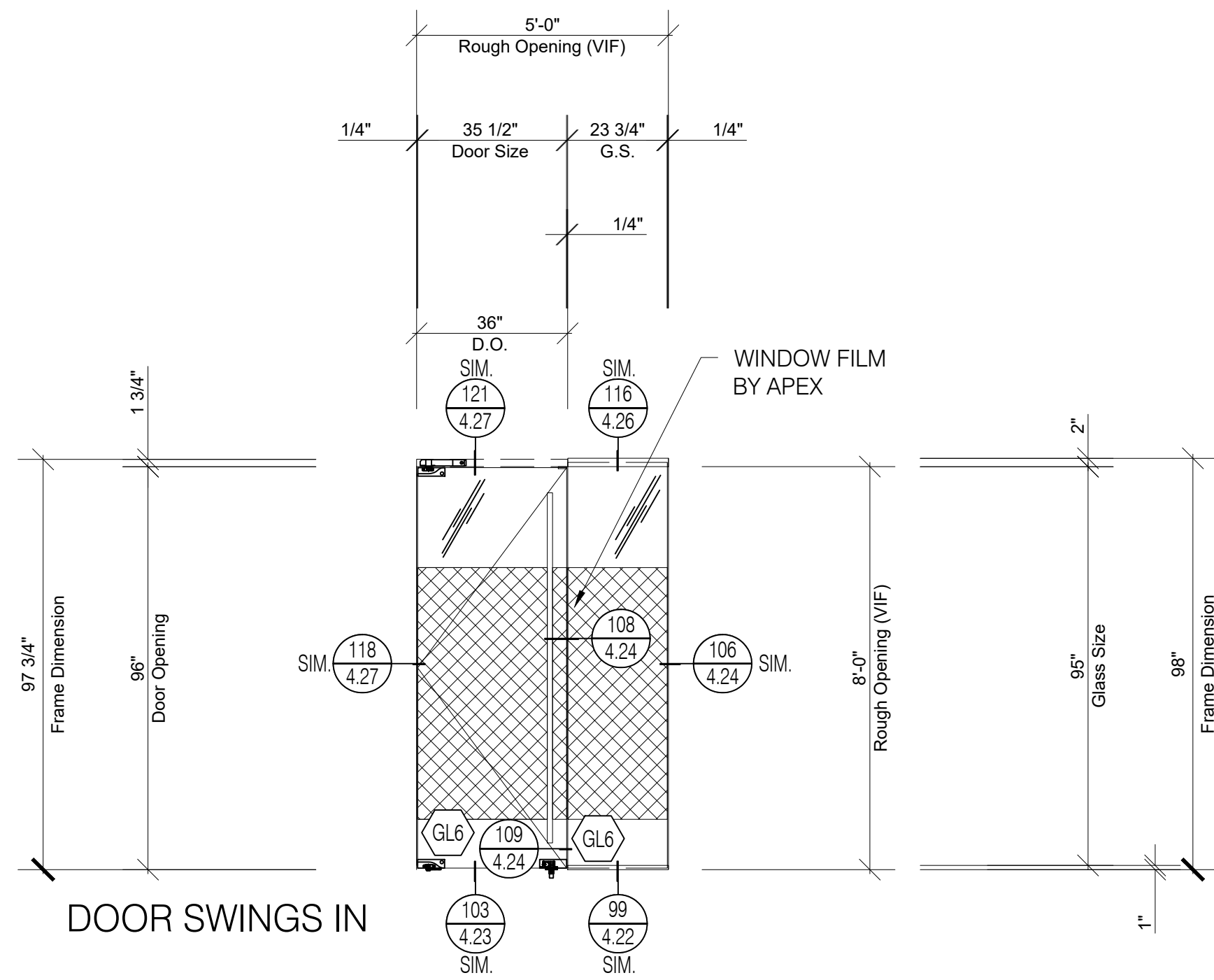
**Project Name & Location**  
 Dig Safely NY  
 6706 Collamer Road  
 East Syracuse, NY 13057  
 Curtain Wall, Storefront & Glass Wall Shop Drawings

**Project Information**  
 Project Manager: Paul Kelsch

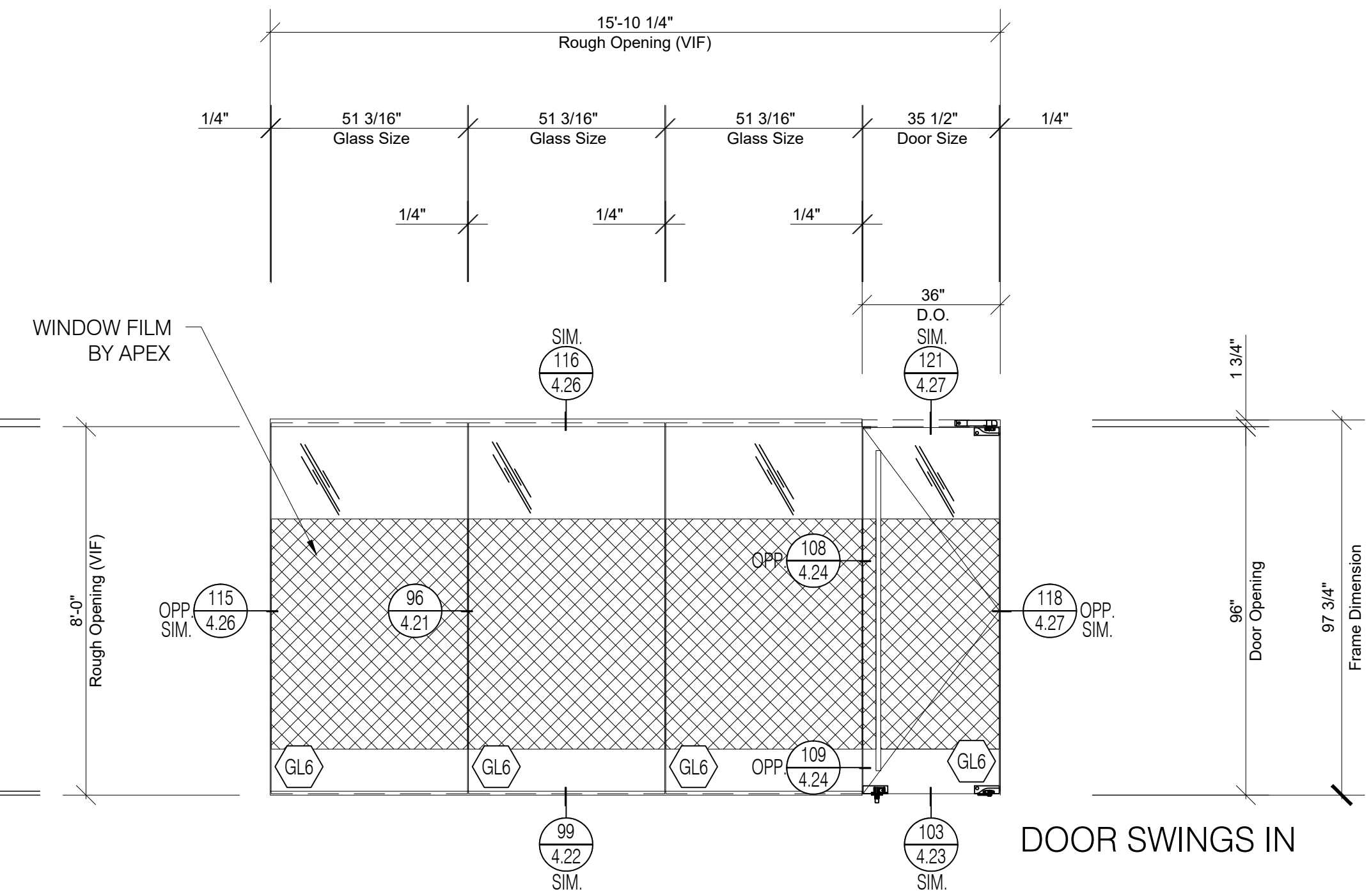
**Drawing Title**  
 Elevations

**Scale:** As Noted

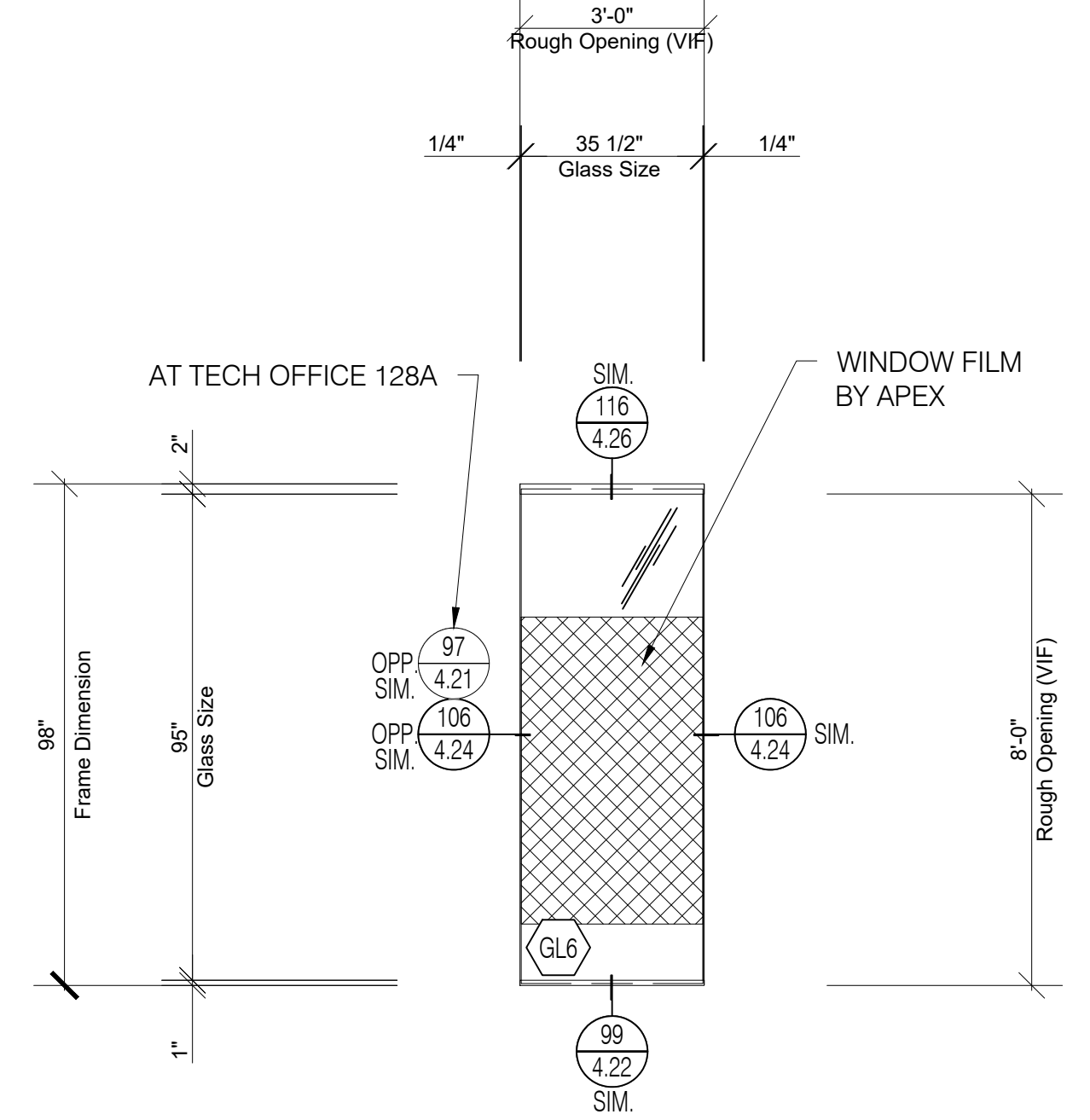
**Sheet Number**



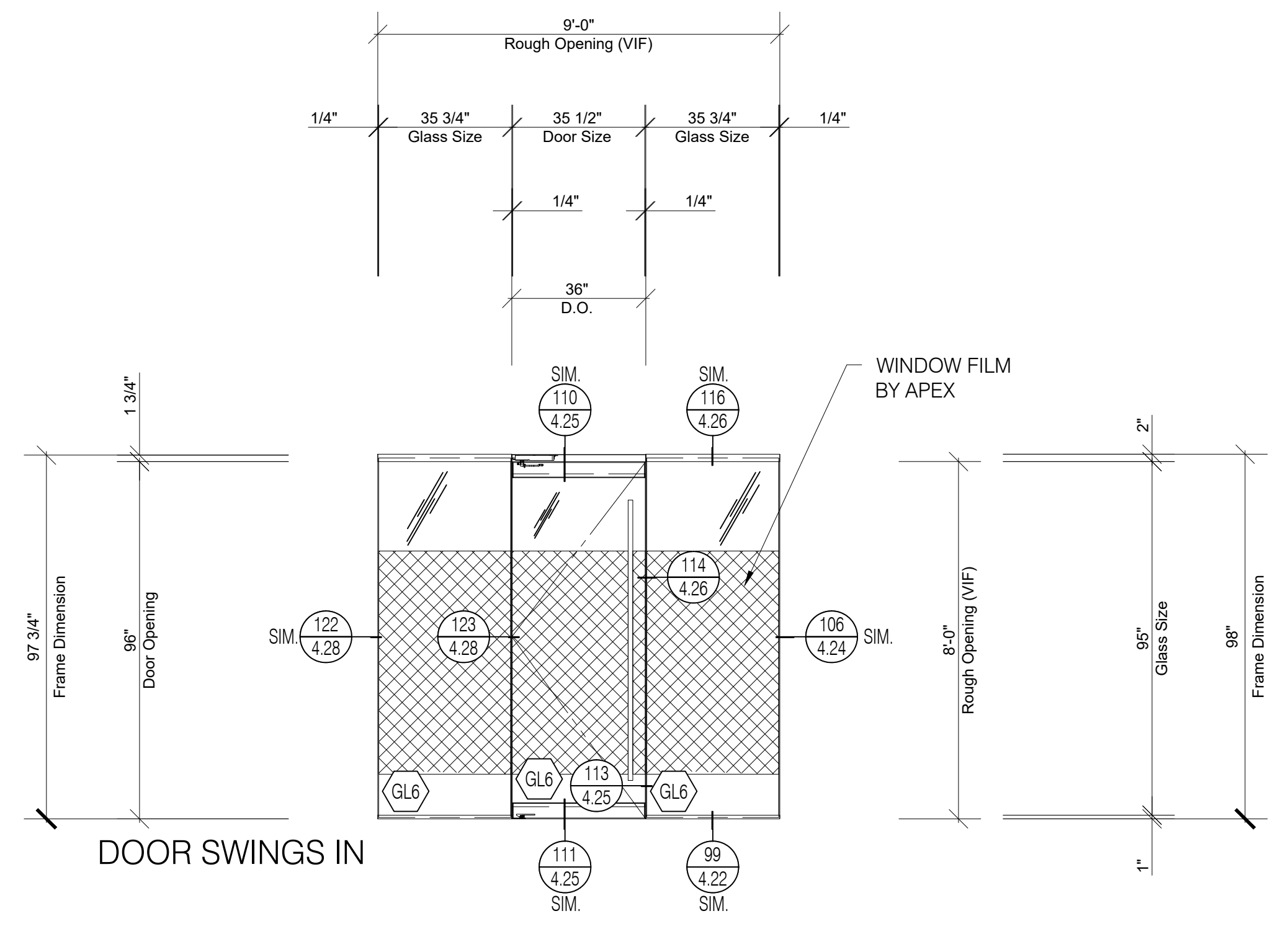
**G9A** Glass Wall Elevation  
 CR Laurence U-Channel System  
 CR Laurence Glass Door  
 Scale: 3/8" = 1' - 0"  
 Arch Ref: W33 / A-606  
 Door 133A  
 Total: 1 Thus



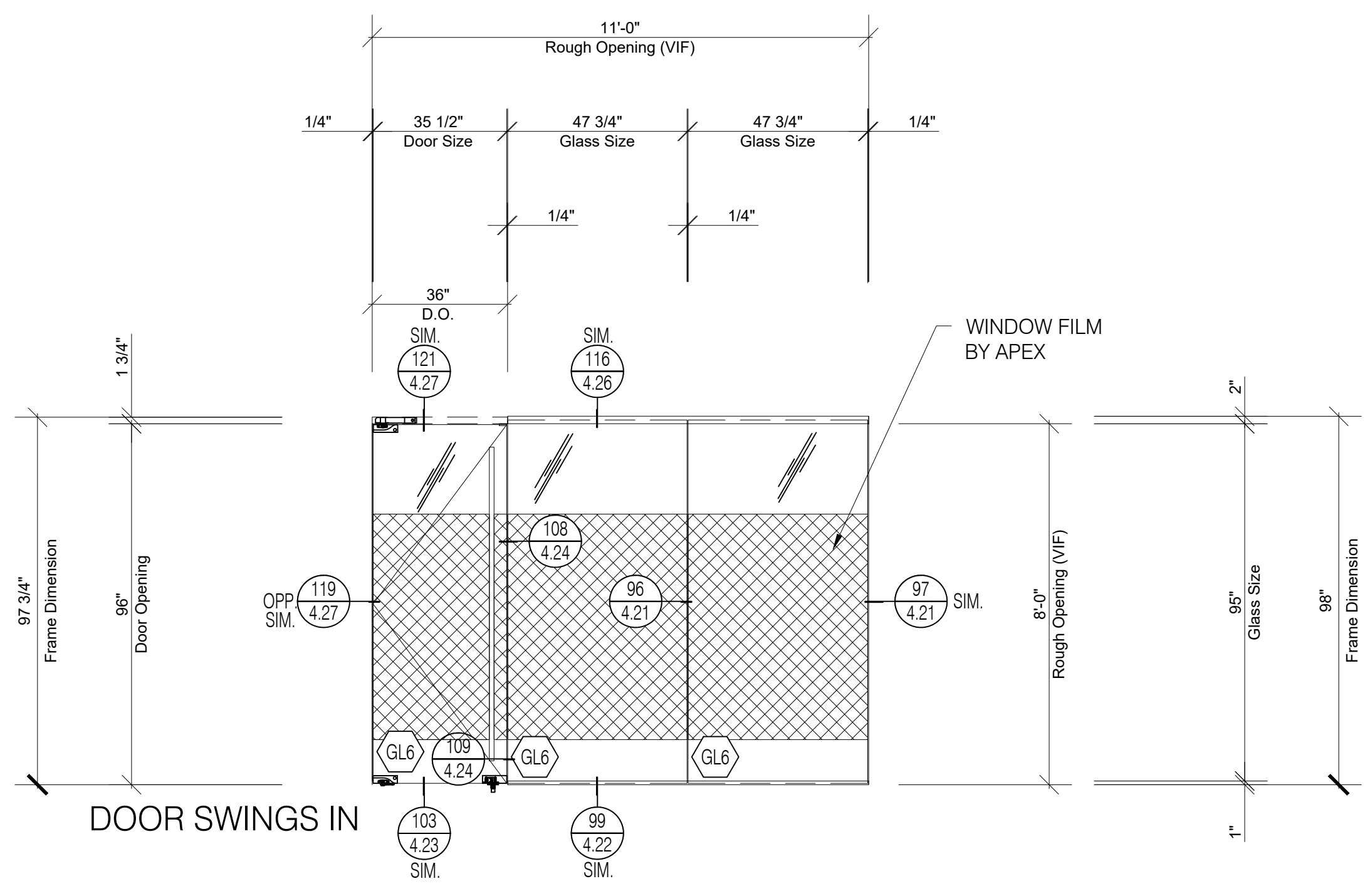
**G10** Glass Wall Elevation  
 CR Laurence U-Channel System  
 CR Laurence Glass Door  
 Scale: 3/8" = 1' - 0"  
 Arch Ref: W34 / A-606  
 Door 125A  
 Total: 1 Thus



**G11** Glass Wall Elevation  
 CR Laurence U-Channel System  
 Scale: 3/8" = 1' - 0"  
 Arch Ref: W36 / A-606  
 Door 128A  
 Total: 2 Thus



**G12** Glass Wall Elevation  
 CR Laurence U-Channel System  
 CR Laurence Glass Door  
 Scale: 3/8" = 1' - 0"  
 Arch Ref: W37 / A-606  
 Door 128A  
 Total: 1 Thus



**G13** Glass Wall Elevation  
 CR Laurence U-Channel System  
 CR Laurence Glass Door  
 Scale: 3/8" = 1' - 0"  
 Arch Ref: W38 / A-606  
 Door 131A  
 Total: 1 Thus

**FRONTIER GLASS Inc.**  
 Your Source For Superior Glass Products And Services!  
 (585) 235-0180 Fax (585) 235-0207  
 • 175 Colvin St • Rochester • NY • 14611 •

**IMPORTANT**  
 These Shop Drawings are our interpretation of the contract documents. It shall be the responsibility of the General Contractor (or Construction Manager) to review these drawings for compliance with the design intent and Contract Documents. When these drawings are returned with "Approved", "Approved as Noted" or "Reviewed" stamped on them, it shall constitute the General Contractors (or Construction Managers) and Architects agreement that the Shop Drawings do comply with the design intent and the Contract Documents.

**DO NOT SCALE PLANS**  
 Copying, Printing, Software and other processes required to produce these prints can stretch or shrink the actual paper or layout. Therefore, scaling of this drawing may be inaccurate. Contact the Glazing Contractor for any additional dimensions or clarifications.

Shop Drawings Prepared By



Charrette Studios Inc.  
 23581 Donaldson Street  
 Clinton Township, Michigan 48035  
 P: 586-790-4329 | F: 586-790-4346

**CSI Project Information**  
 Drawn By: Erica Domurat  
 CSI Project No: 05092199

**Architect**  
 OPK Design  
 450 South Salina Street, Suite 500  
 Syracuse, NY 13201-0029

**General Cntr. or Constuction Mgr.**  
 Granger Construction Company  
 6701 Manlius Center Road  
 East Syracuse, NY 13057

Issue & Revision Dates		
No.	Date	Subject
1	06-22-18	First Submittal

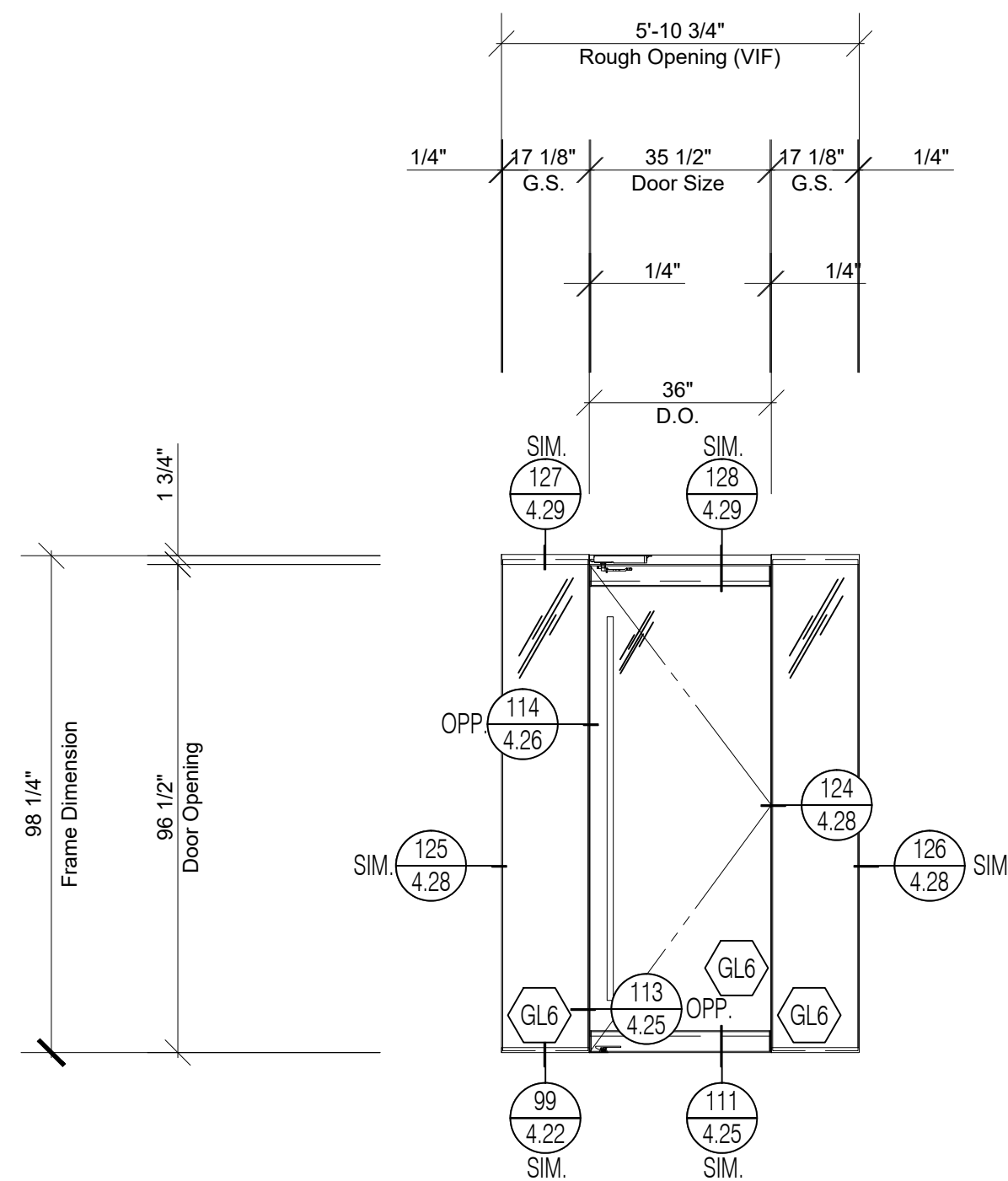
**Project Name & Location**  
 Dig Safely NY  
 6706 Collamer Road  
 East Syracuse, NY 13057  
 Curtain Wall, Storefront & Glass Wall Shop Drawings

**Project Information**  
 Project Manager: Paul Kelsch

**Drawing Title**  
 Elevations

Scale: As Noted

**Sheet Number**  
 3.12

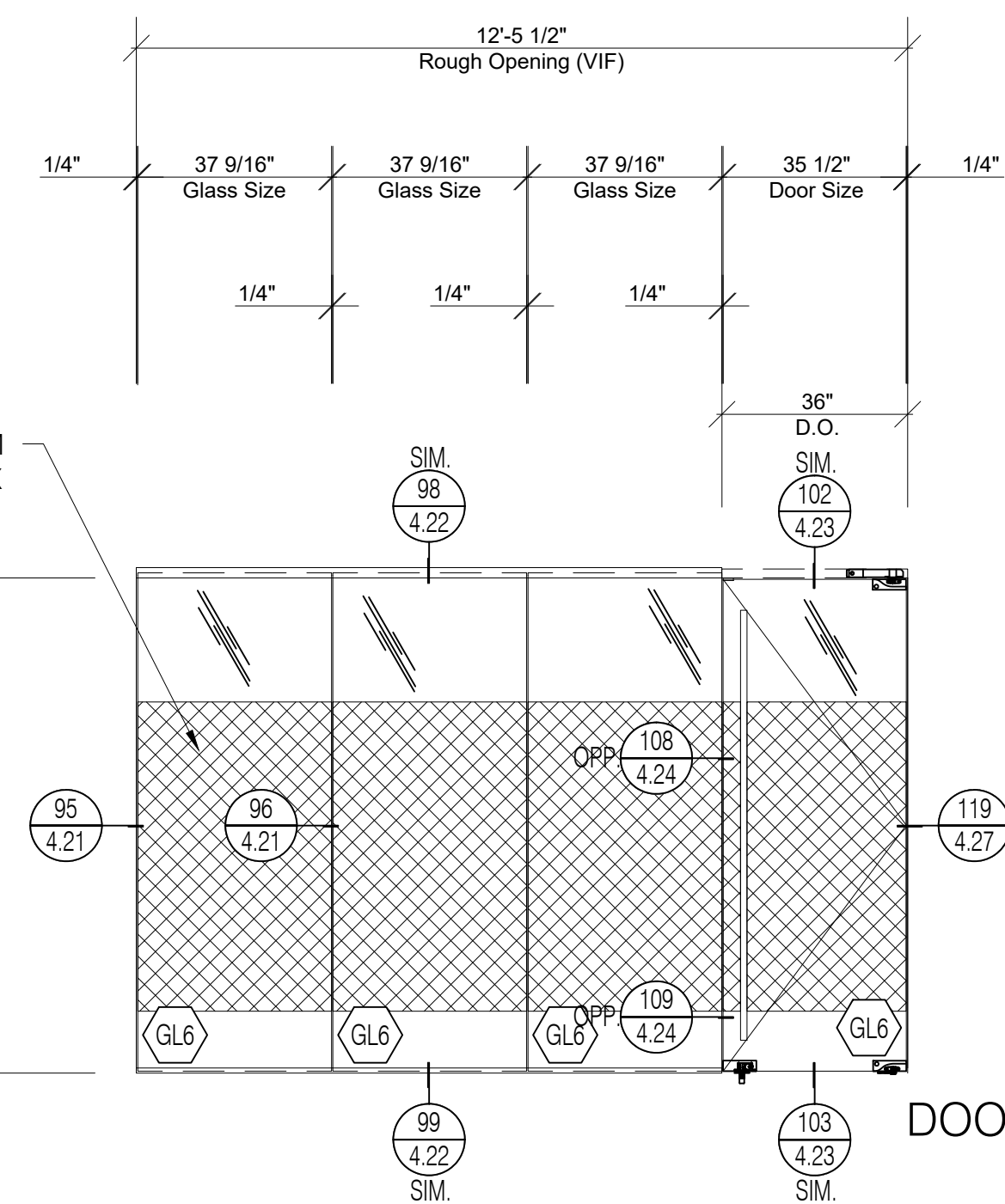


**G14**

Glass Wall Elevation

CR Laurence  
U-Channel System  
CR Laurence Glass Door  
**Total:** 1 Thus

Scale: 3/8" = 1' - 0"  
Arch Ref: W39 / A-606  
Door 100C

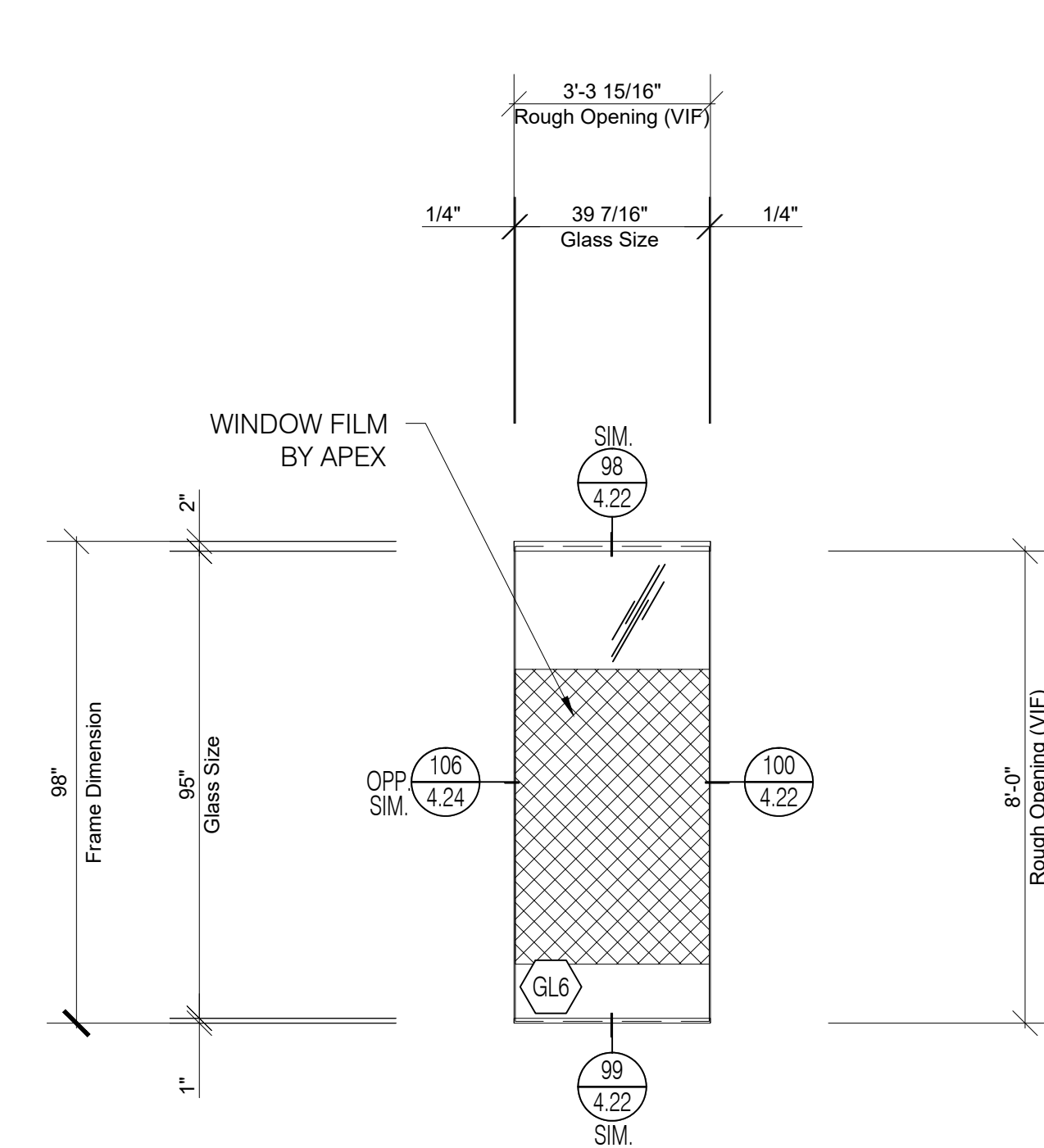


**G15**

Glass Wall Elevation

CR Laurence  
U-Channel System  
CR Laurence Glass Door  
**Total:** 1 Thus

Scale: 3/8" = 1' - 0"  
Arch Ref: W40 / A-606  
Door 121B

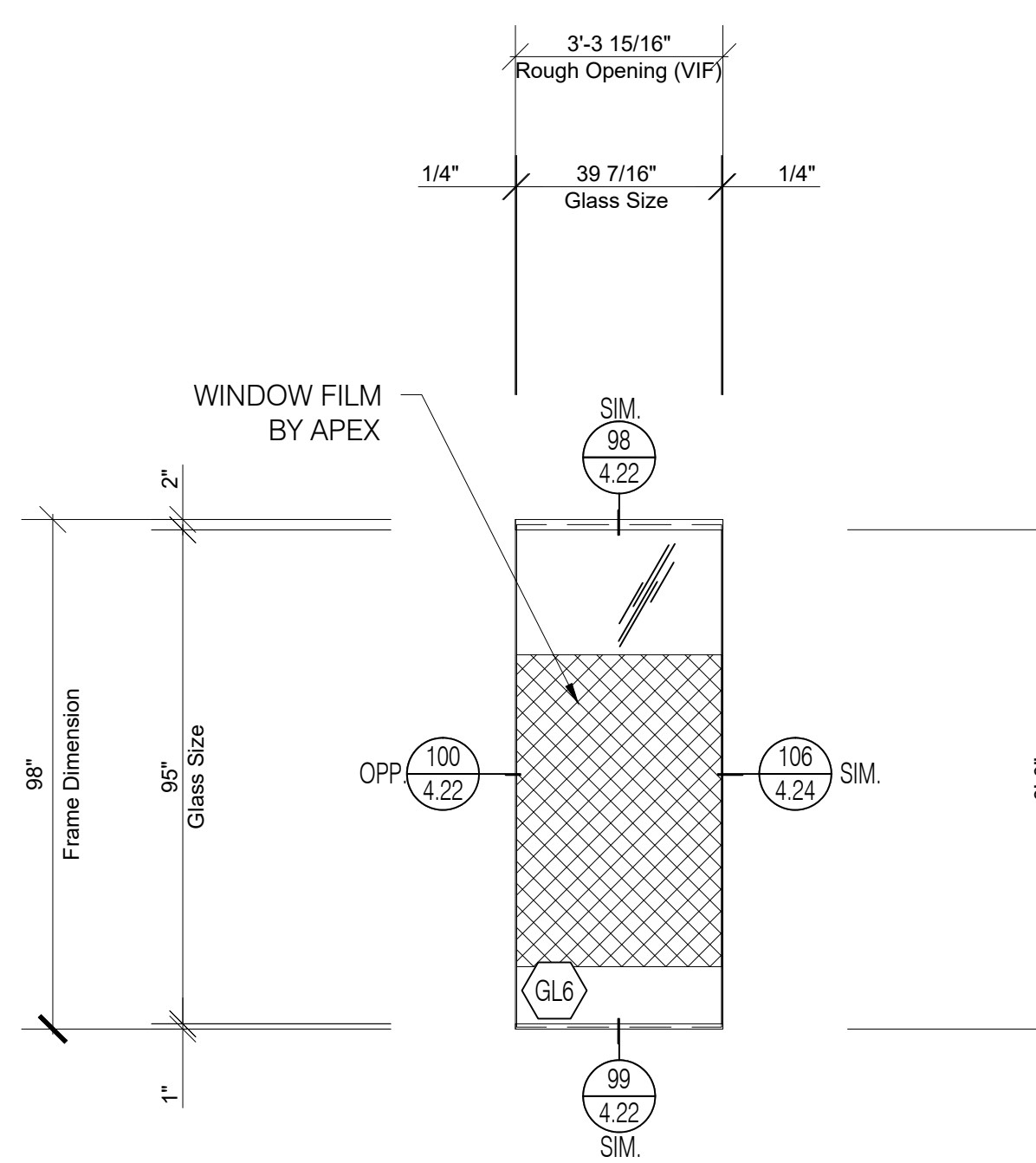


**G16**

Glass Wall Elevation

CR Laurence  
U-Channel System  
**Total:** 1 Thus

Scale: 3/8" = 1' - 0"  
Arch Ref: W41 / A-606

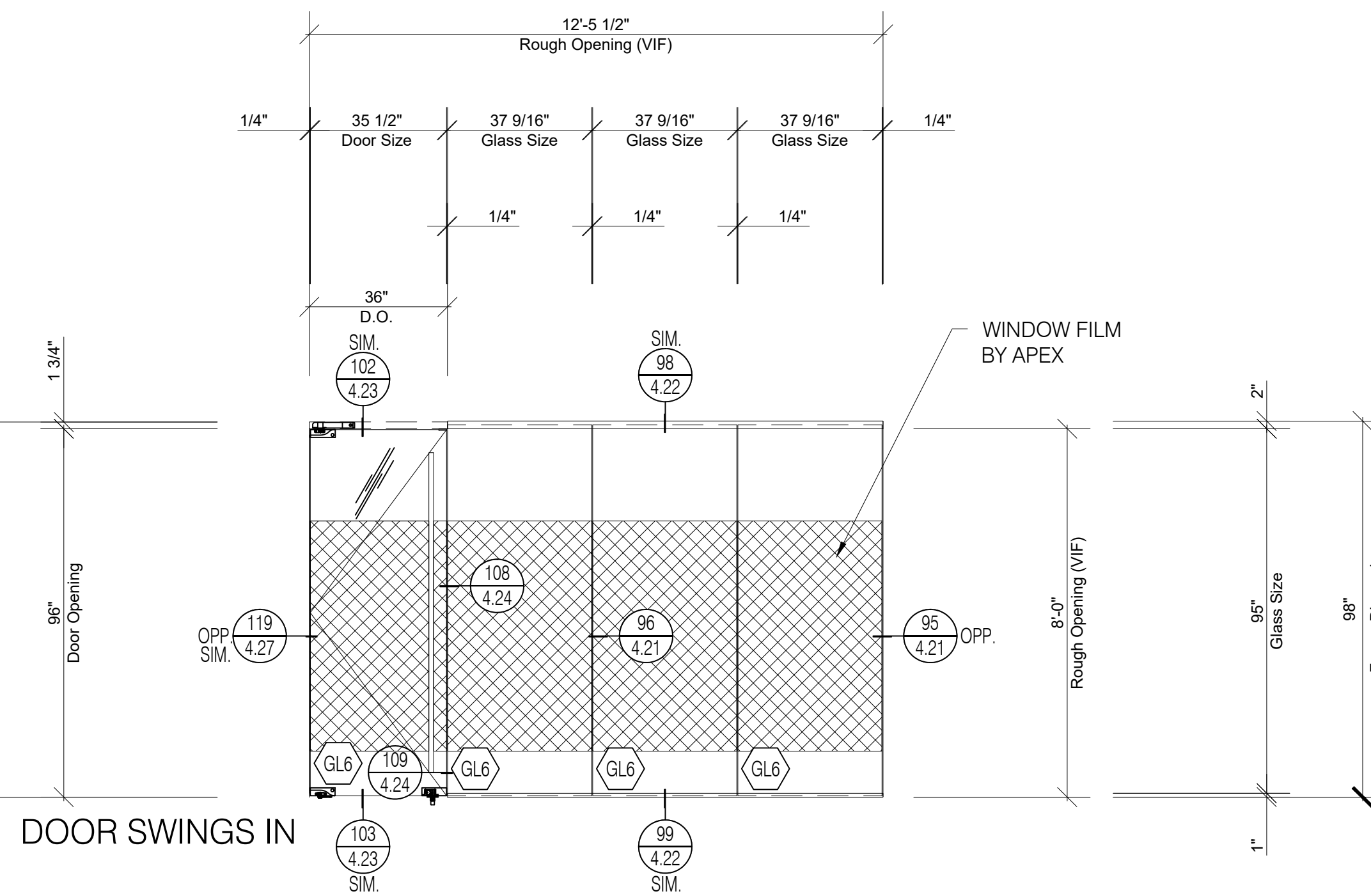


**G17**

Glass Wall Elevation

CR Laurence  
U-Channel System  
**Total:** 1 Thus

Scale: 3/8" = 1' - 0"  
Arch Ref: W42 / A-606

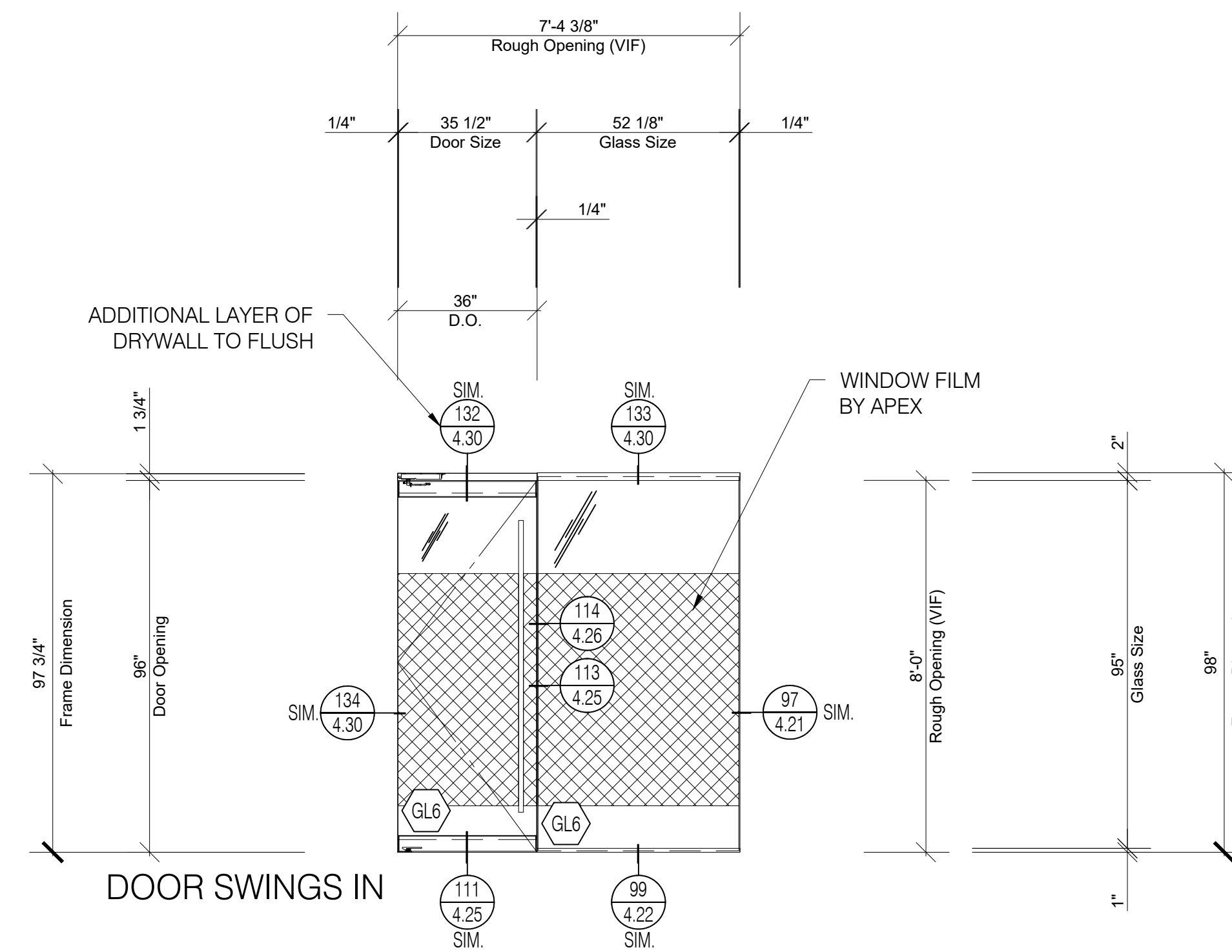


**G18**

Glass Wall Elevation

CR Laurence  
U-Channel System  
CR Laurence Glass Door  
**Total:** 1 Thus

Scale: 3/8" = 1' - 0"  
Arch Ref: W43 / A-606  
Door 121A



**G19**

Glass Wall Elevation

CR Laurence  
U-Channel System  
CR Laurence Glass Door  
**Total:** 3 Thus

Scale: 3/8" = 1' - 0"  
Arch Ref: W44 / A-606  
Door 118A  
Door 119A  
Door 120A

**FRONTIER GLASS Inc.**  
Your Source For Superior Glass Products And Services!  
(585) 235-0180 Fax (585) 235-0207  
175 Colvin St • Rochester • NY • 14611 •

**IMPORTANT**  
These Shop Drawings are our interpretation of the contract documents. It shall be the responsibility of the General Contractor (or Construction Manager) to review these drawings for compliance with the design intent and Contract Documents. When these drawings are returned with "Approved," "Approved as Noted" or "Reviewed" stamped on them, it shall constitute the General Contractors (or Construction Managers) and Architects agreement that the Shop Drawings do comply with the design intent and the Contract Documents.

**DO NOT SCALE PLANS**  
Copying, Printing, Software and other processes required to produce these prints can stretch or shrink the actual paper or layout. Therefore, scaling of this drawing may be inaccurate. Contact the Glazing Contractor for any additional dimensions or clarifications.

Shop Drawings Prepared By



Charrette Studios Inc.  
23581 Donaldson Street  
Clinton Township, Michigan 48035  
P: 586-790-4329 | F: 586-790-4346

**CSI Project Information**  
Drawn By: Erica Domurat  
CSI Project No: 05092199

**Architect**  
OPK Design  
450 South Salina Street, Suite 500  
Syracuse, NY 13201-0029

**General Cntr. or Constuction Mgr.**  
Granger Construction Company  
6701 Manlius Center Road  
East Syracuse, NY 13057

**Issue & Revision Dates**

No.	Date	Subject
1	06-22-18	First Submittal

**Project Name & Location**  
Dig Safely NY  
6706 Collamer Road  
East Syracuse, NY 13057  
Curtain Wall, Storefront & Glass Wall Shop Drawings

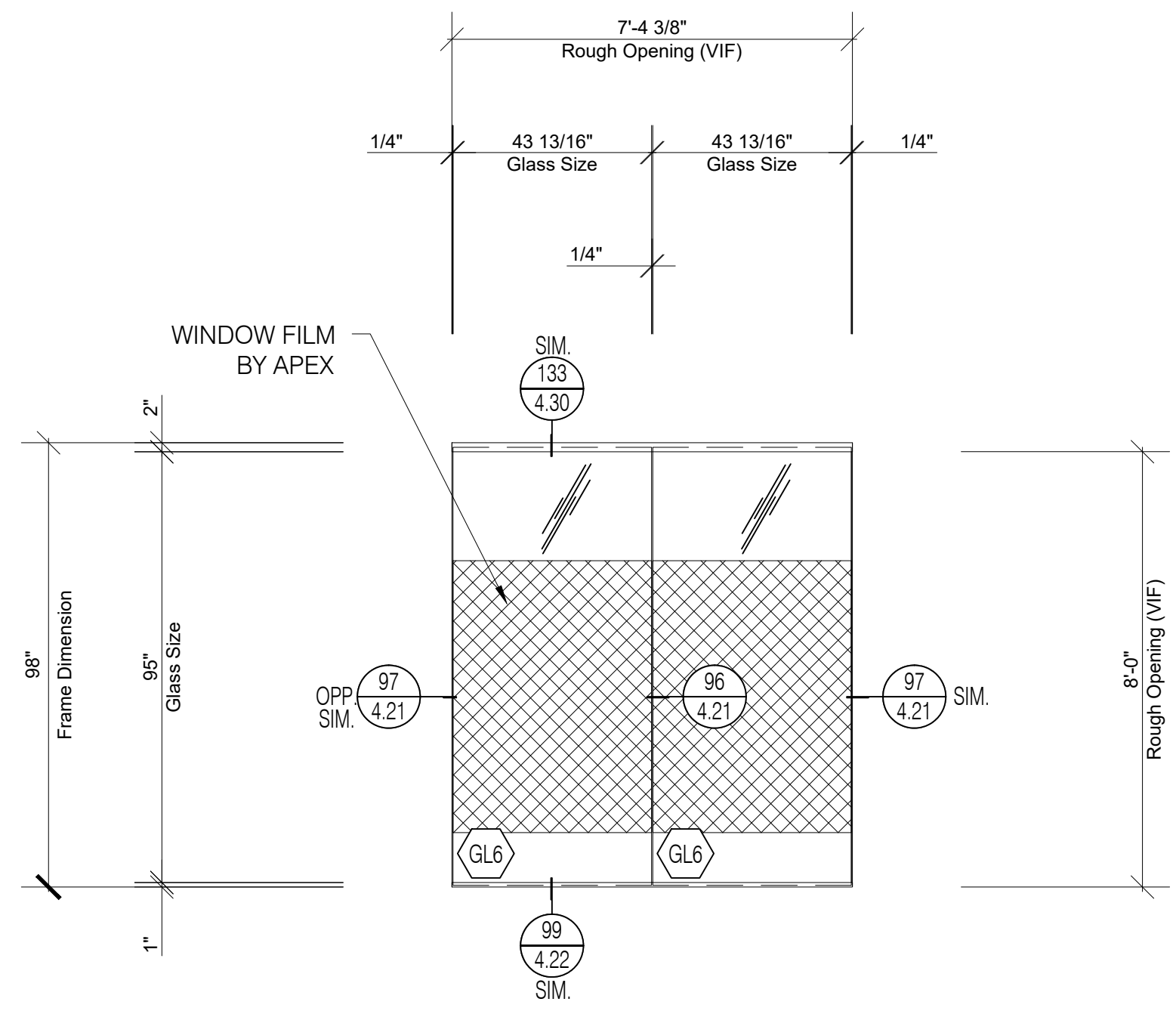
**Project Information**  
Project Manager: Paul Kelsch

**Drawing Title**  
Elevations

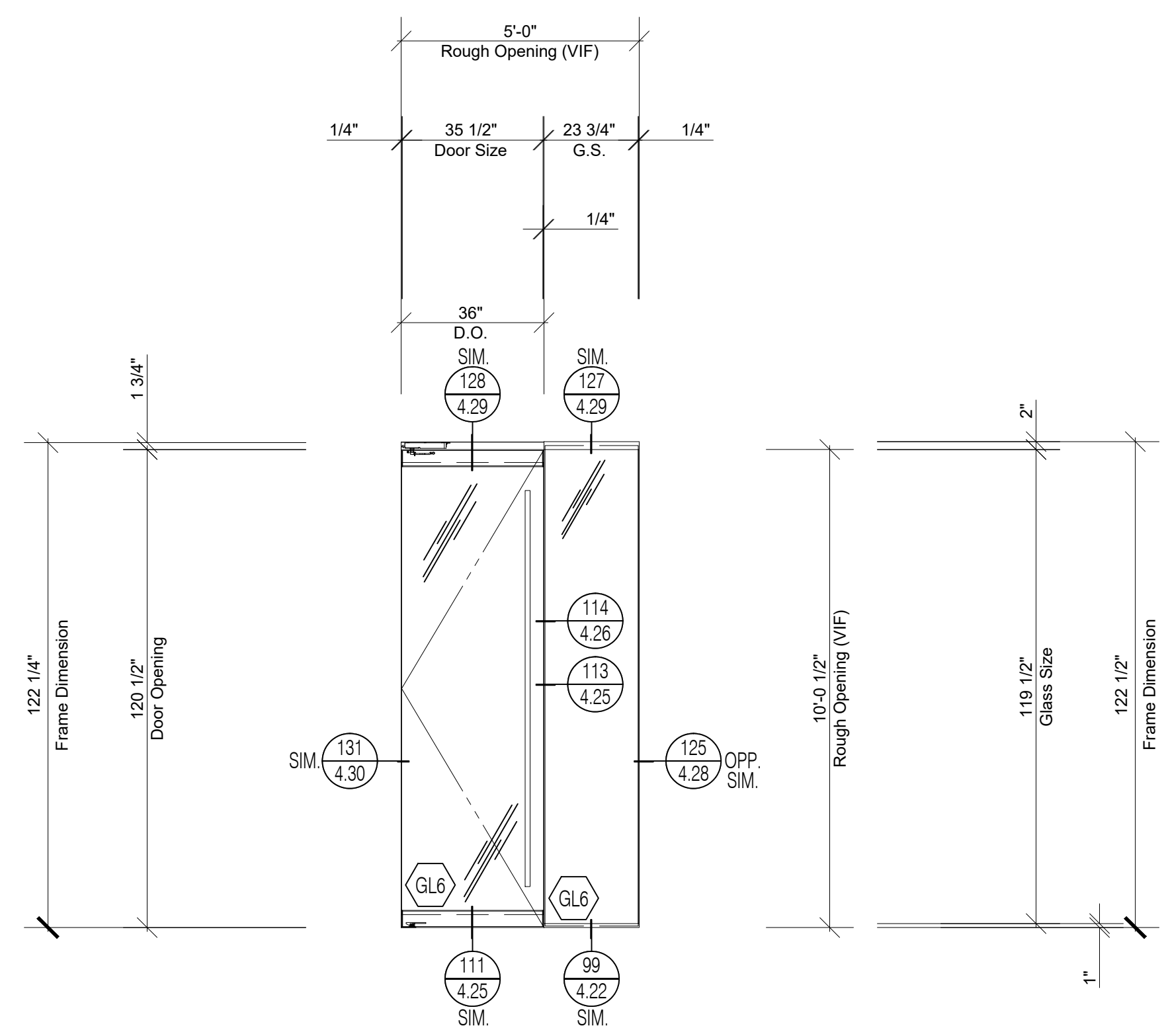
**Scale:** As Noted

**Sheet Number**

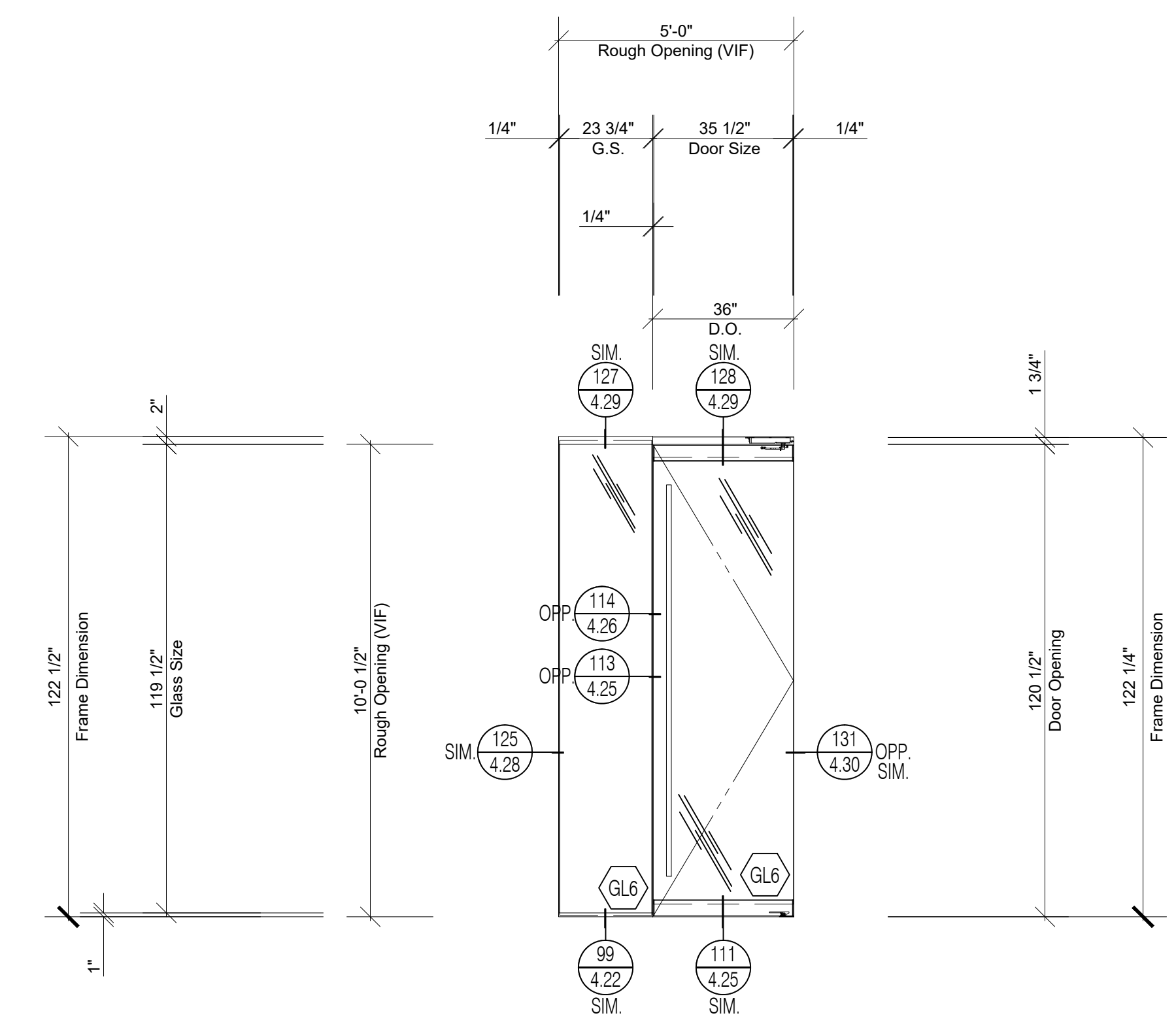
3.13



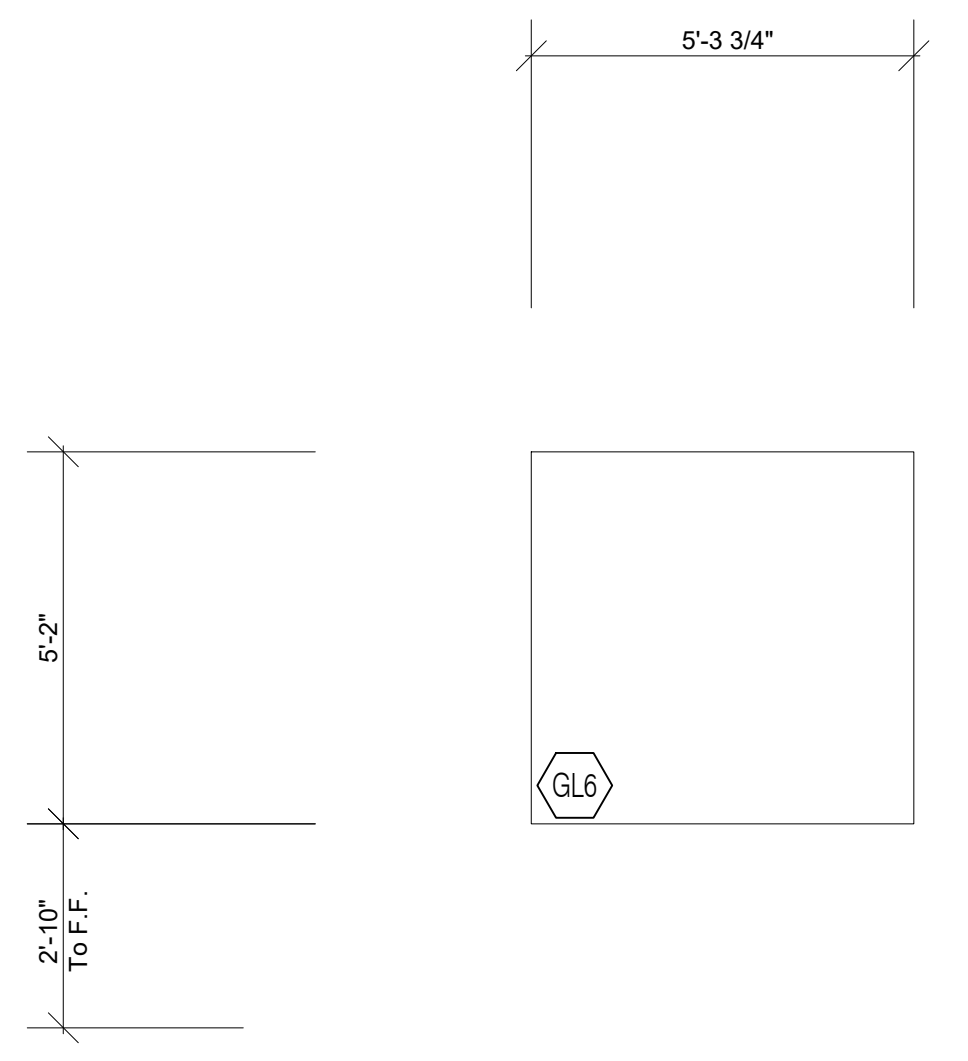
**G20** Glass Wall Elevation  
 CR Laurence U-Channel System  
 Scale: 3/8" = 1' - 0"  
 Arch Ref: W45 / A-606  
**Total:** 3 Thus



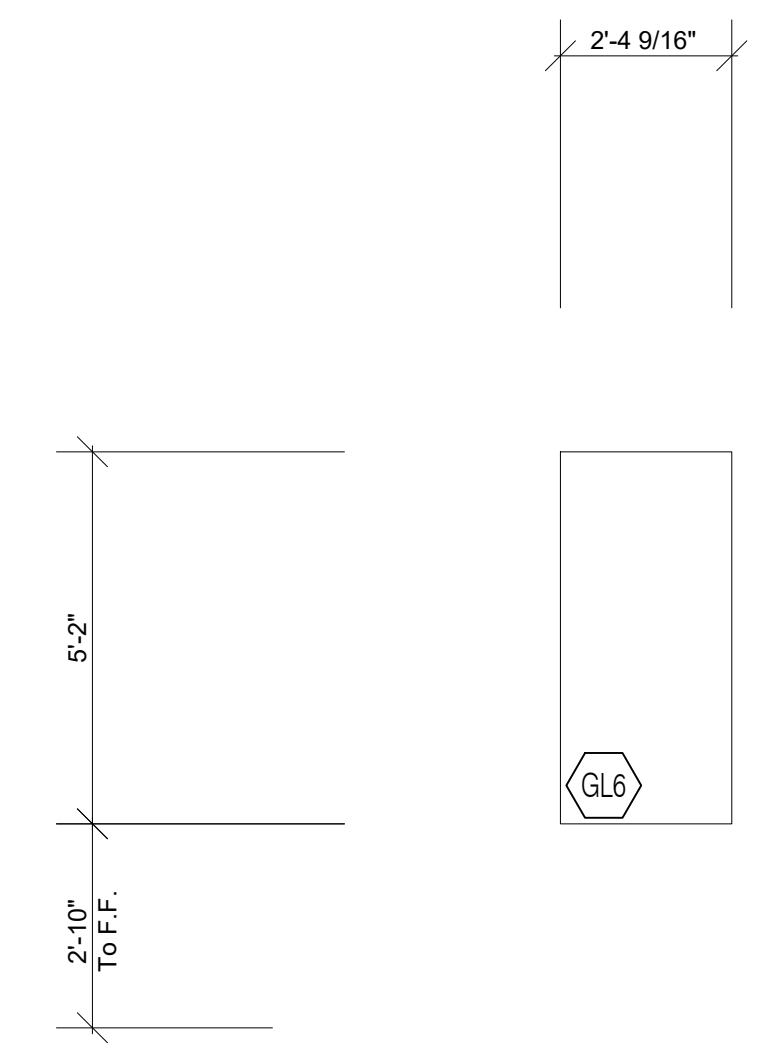
**G21** Glass Wall Elevation  
 CR Laurence U-Channel System  
 CR Laurence Glass Door  
 Scale: 3/8" = 1' - 0"  
 Arch Ref: W50 / A-606  
**Total:** 1 Thus



**G22** Glass Wall Elevation  
 CR Laurence U-Channel System  
 CR Laurence Glass Door  
 Scale: 3/8" = 1' - 0"  
 Arch Ref: W51 / A-606  
**Total:** 1 Thus



**G23** Glass Window Elevation  
 Scale: 3/8" = 1' - 0"  
 Arch Ref: W25 / A-606  
**Total:** 1 Thus



**G24** Glass Window Elevation  
 Scale: 3/8" = 1' - 0"  
 Arch Ref: W26 / A-606  
**Total:** 1 Thus

**FRONTIER GLASS Inc.**  
 Your Source For Superior Glass Products And Services!  
 (585) 235-0180 Fax (585) 235-0207  
 175 Colvin St • Rochester • NY • 14611 •

**IMPORTANT**  
 These Shop Drawings are our interpretation of the contract documents. It shall be the responsibility of the General Contractor (or Construction Manager) to review these drawings for compliance with the design intent and Contract Documents. When these drawings are returned with "Approved", "Approved as Noted" or "Reviewed" stamped on them, it shall constitute the General Contractors (or Construction Managers) and Architects agreement that the Shop Drawings do comply with the design intent and the Contract Documents.

**DO NOT SCALE PLANS**  
 Copying, Printing, Software and other processes required to produce these prints can stretch or shrink the actual paper or layout. Therefore, scaling of this drawing may be inaccurate. Contact the Glazing Contractor for any additional dimensions or clarifications.

Shop Drawings Prepared By



Charrette Studios Inc.  
 23581 Donaldson Street  
 Clinton Township, Michigan 48035  
 P: 586-790-4329 | F: 586-790-4346

**CSI Project Information**  
 Drawn By: Erica Domurat  
 CSI Project No: 05092199

**Architect**  
 OPK Design  
 450 South Salina Street, Suite 500  
 Syracuse, NY 13201-0029

**General Cntr. or Constuction Mgr.**  
 Granger Construction Company  
 6701 Manlius Center Road  
 East Syracuse, NY 13057

No.	Date	Subject
1	06-22-18	First Submittal

**Project Name & Location**  
 Dig Safely NY  
 6706 Collamer Road  
 East Syracuse, NY 13057  
 Curtain Wall, Storefront & Glass Wall Shop Drawings

**Project Information**  
 Project Manager: Paul Kelsch

**Drawing Title**  
 Elevations  
 Scale: As Noted

**Sheet Number**  
 3.14